



## **BEFORE THE FIRST USING YOUR ELECTRIC STORAGE WATER HEATER, CAREFULLY READ THIS OPERATION MANUAL**

### **DEAR CUSTOMER!**

Congratulations on your purchase of an electric water heater SIERRA.

Water heaters SIERRA are designed and manufactured in strict accordance with domestic and international standards guaranteeing operation reliability and safety.

Present manual applies to models of Sierra. The full name of the model of your heater is specified in "Manufacturer's warranty" section (sub-section "Note of sale") and in the marking plate on the heater casing.

### **1. APPLICATION**

Electric water heater (hereinafter referred to as the EWH) is designed to provide with hot water for domestic and industrial facilities having a cold water supply line pressure of not less than 0.05 MPa and not more than 0.75 MPa.

EWH shall be operated indoors in heated spaces and it is not designed for operation in continuous flow mode.

### **2. SCOPE OF SUPPLY**

Water heater	- 1 pcs.
Safety valve of GP type	- 1 pcs.
Operation manual	- 1 pcs.
Installation kit	- 1 set
Packaging	- 1 pcs.

### **3. MAIN TECHNICAL CHARACTERISTICS**

EWH power supply shall be within the range of 220-240 V. Supply network frequency 50/60 Hz  $\pm$  1%. Volume of the inner tank and heating element power are specified in the marking plate on the casing. Thread diameter in water inlet and outlet pipes - G1/2 ".

The manufacturer reserves the right to make changes to the design, complete set and specifications of the heater without prior notice.

Model	Code	Average heating time $\Delta T = 45^{\circ} \text{C}$ at 1.5 kW	Installation
Sierra 30 V	111 218	1 h 03 min.	vertical
Sierra 50 V	111 219	1 h 45 min.	vertical
Sierra 80 V	111 220	2 h 48 min.	vertical
Sierra 100 V	111 221	3 h 30 min.	vertical

#### 4. DESCRIPTION AND PRINCIPLE OF OPERATION

The outside casing of the EWH is made of steel. Inner tanks have a special bio-glass-porcelain coating reliably protecting the inner surface against chemical corrosion. The space between the outside casing and the inner tank is filled with polyurethane foam - a modern, ecologically clean thermal insulation, which has the best heat-saving characteristics. Sierra models have two screwed nozzles: for inlet of cold water (Figure 1, p. 3) with a blue ring and for outlet of hot water (Figure 1, p. 2) — with a red ring. The control knob, in all models, is on the bottom side of the EWH. (Figure 1, p. 16).

Tubular heating element (THE), thermostat and thermal switch sensors are mounted on the removable flange. THE is used to heat water and thermostat provides with possibility of heating temperature regulation up to  $+75^{\circ}\text{C}$ .

Safety valve (Fig. 1, p. 5) operates as the check valve, ensuring protection of the water ingress from the water heater into the sewage system in case of pressure drop in the sewage system and in case of pressure rise in the tank at high water heating, as well as the functions of the safety valve, releasing overpressure in the tank at high water heating. During water heater operation water may leak out of the exhaust outlet pipe of the safety valve to relieve excessive pressure, which is made for the purpose of water heater safety. This outlet pipe shall remain open to the atmosphere and be installed constantly down.

Drainage of water from the safety valve exhaust pipe into the drain shall be provided with installation of the corresponding EWH drainage.

It is required regularly (at least once a month) to discharge a small amount of water through the exhaust pipe of the safety valve into the drain to remove lime deposits and to test the operating functionality of the valve. Handle (Fig. 1, p. 15) is intended to open the valve. It is necessary to control when operating water heater this handle to be in position closing water draining from the tank.

## 5. SPECIFYING SECURITY MEASURES

Electrical safety and corrosion protection of EWH are guaranteed only if there is an effective grounding in accordance with applicable electric installation rules and regulations.

Plumbing pipes and fittings shall conform to parameters of water main and have the required certificates of quality.

When installing and operating EWH the following is not allowed:

- To power EWH if EWH is not filled with water.
- To remove the protective cover when the power is on.
- Use EWH without grounding or use water pipes as grounding.
- To connect EWH to water supply with pressure exceeding 0.75 MPa.
- To connect EWH to the water supply without safety valve.
- To drain water from EWH with power switched on.
- To use spare parts not recommended by the manufacturer.
- To use water from the EWH for cooking.
- To use water containing impurities (sand, small stones), which might lead to EWH and safety valve breakdown.
- To modify design and installation dimensions of EWH brackets.

Ambient temperature shall be within the range of 3°C to 40°C. Water in freezing EWH at negative temperatures results in malfunction, which is not a warranty case.



**Attention should be paid to children so that they do not play with EWH. EWH is not intended for use by persons (including children) with limited physical, sensory or mental capabilities, or by persons who do not know how to use the EWH, except for cases when this happens under the supervision or instructions by persons responsible for safety of the EWH.**

During EWH operation, it shall be inspected regularly for proper health (absence of dripping, burning smell, wiring sparks, etc.). In the case of long interruptions in water heater operation, water supply failures, EWH shall be disabled and cold water inlet valve shall be shut off.

## 6. INSTALLATION AND CONNECTION

All installation, plumbing and electrical works shall be performed by qualified personnel.

## 7. ARRANGEMENT AND INSTALLATION

All installation, plumbing and electrical works shall be performed by qualified personnel.

EWH installation shall be performed in accordance with marking on the housing.

It is recommended to install EWH as close as possible to the place of hot water using to reduce heat loss in the pipes.

When choosing the place of installation it should be taken into account the total weight of EWH filled with water. Walls and floor with low carrying capacity should be strengthened accordingly. When drilling (making) holes in the wall consider cables, ducts and pipes in the wall.

EWH is suspended by brackets on hook anchors fixed in the wall. Hooks mounting on the wall shall exclude spontaneous movement of EWH brackets along them.

The manufacturer bears no liability for EWH falling associated with improper installation of anchors and their selection.

For EWH maintenance the distance from the protective cover to the nearest surface in the direction of the removable flange axis shall be at least 30 cm for all models.



**In order to avoid damage of the user's and/or third parties' property in the event of a faulty hot water system, it is required to install EWH in spaces with waterproofing and drainage to the sewers, and in no case to place under items exposed to the water under EWH. When placed in unprotected areas a protective plate (not supplied) with drainage into sewers shall be installed under the EWH.**

In case of placing EWH in hard-to-reach places in order to perform maintenance and warranty service (mezzanine floors, niches, ceiling voids, etc.), installation and dismantling of EWH is carried out by the user on his own or for his own account.

Note: safety tray is not included into the scope of EWH supply.

## 8. CONNECTION TO WATER MAINS

Cold water shall be supplied to EWH using pre-filter with water treatment level not less than 200  $\mu\text{m}$ .

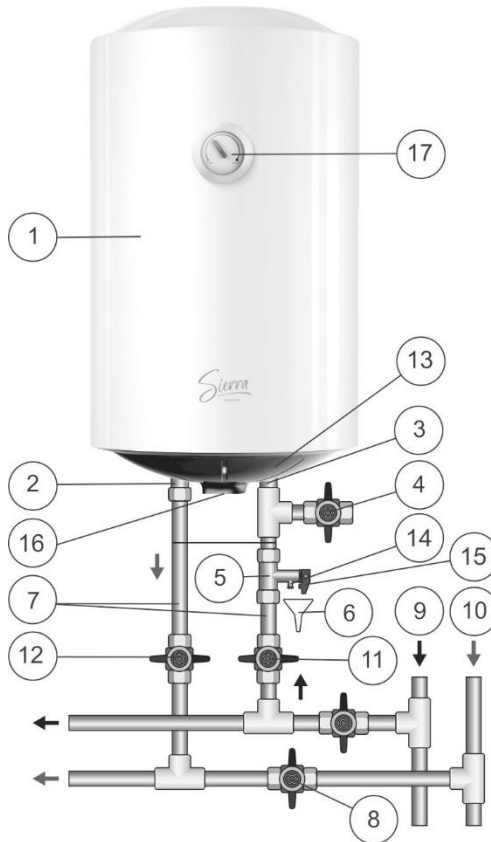
Install pressure relief valve (fig. 1, p.5) at the cold water inlet (fig. 1, p. 3) tube with the blue ring, by 3.5-4 turnings, ensuring junction tightness with any sealing material (flax, FUM tape, etc.).

During EWH operation you can observe water leak out of the outlet pipe of the safety valve for excessive pressure release to ensure safety of the water heater. It is recommended to connect to a drainage hole a rubber or silicone pipe of the relevant diameter for moisture removal.

Connection to the water supply line shall be carried out in accordance with Fig. 1 using copper, plastic pipes or special flexible sanitary wiring. Do not use any used flexible wiring. It is recommended to supply water to EWH through filter installed on the cold water main (not included in the scope of supply).



**Do not use used flexible feed pipes. Do not operate the EWH without safety valve or with valve made by other manufacturers.**



**Figure 1. EWH connection diagram to water supply**

**Figure 1:** 1 – EWH, 2 – hot water pipe, 3 – cold water pipe, 4 – drain valve (not in the scope of supply), 5 – safety valve, 6 – drainage (not in the scope of supply), 7 – feed pipe, 8 – shut off valve when EWH operation, 9 – cold water main, 10 – hot water main, 11 – cold water shut-off valve, 12 – hot water shut-off valve, 13 – protective cover, 14 – exhaust pipe of the safety valve, 15 – handle for opening pressure relief valve, 16 – control knob, 17 – temperature indicator.

After connecting EWH make sure that cold water shut-off valve is open and hot water shut-off valve (Fig. 1, p. 8) is closed. Open cold water tap in EWH (Fig. 1, p. 11),

hot water outlet valve (Fig. 1, p. 12) and hot water tap on mixer to ensure outflow of air from the EWH. When the final EWH filling, water will continuously flow out of mixer tap. When connecting EWH in places not provided with water supply it is permitted to supply water in EWH from auxiliary tank using pumping station, or from reservoir placed at a height of not less than 5 meters over the top of EWH.

**Note:** for ease of maintenance during EWH operation it is recommended to install drain valve (Fig. 1, p. 4) in accordance with Fig. 1 (for models not equipped with drainage pipe (not in the scope of EWH supply)).

If the water pressure exceeds 0.75 MPa, at EWH cold water inlet, before the safety valve (in the direction of water flow), the appropriate pressure reducing valve (not supplied with the EWH) shall be installed to reduce water pressure to standard.

## 9. CONNECTION TO POWER SUPPLY

Prior to the water heater connection to electrical network, make sure its parameters complies with the technical specifications of the water heater.

**ATTENTION!** Prior to power activation make sure EWH is filled with water!

Water heater shall be earthed to ensure safe operation. EWH is equipped with the stationary power cable (option) with Europlug (option). Power outlet shall have an earth terminal with the connected earthing wire and located in the area protected from moisture, or comply with the requirements not less than 1PX4.

## 10. OPERATION

The EWH is switched on/off by turning the indicator line on the control knob located on the protective cover of the water heater (Fig. 1, p. 16) to the "OFF" zone. The water temperature in the inner tank is adjusted using the control knob (Fig. 1, p. 16) in the range of values from "OFF" (minimum values) to "HIGH" (maximum values). The control indicator lamp displays the operating mode of the EWH - it glows when the water is heated and goes out when the set temperature is reached.

## 11. TECHNICAL MAINTENANCE

When performing maintenance scale on THE is checked. At the same time residue that may accumulate in the bottom of the EWH is removed. If there is scale on THE, it can be removed by using scale removing means or mechanically. It is recommended to hold the first technical maintenance after a year from the time of connection by experts of a specialized organization and depending on intensity of scale and residue to determine intervals of follow-up maintenance. This action will extend the maximum EWH service life.

**ATTENTION: accumulation of scale on TEH may cause its damage .**

Note: Damages to THE due to scale formation are not subject to warranty. Regular maintenance is not included in the warranty of the manufacturer and the seller.

The following shall be carried out for maintenance:

- Turn off EWH power;
- Cool hot water or discharge it through the mixer;
- Cut off supply of cold water into EWH;
- Unscrew the relief valve or open drain valve;
- To put on the cold water supply inlet or discharge valve a rubber hose, sending the other end down the drain;
- Open hot water tap on mixer and drain water from the EWH through the hose;
- Remove the protective cover, disconnect wires, unscrew and remove from the casing the removable flange;
- Clean if necessary THEs from scale and remove residue from the tank;
- Assemble, fill the EWH with water and power on.

In models with drain pipe, it is enough to cut off the flow of cold water into the EWH, unscrew the drain stub on drain pipe and open hot water tap. Once the water is discharged, you can open for a while cold water supply in EWH for additional tank washing.

When conducting EWH maintenance by forces of specialized organization mark with the seal of organization performing maintenance shall be made in service coupon.

## 12. POSSIBLE FAULTS AND REMEDIES.

<b>Malfunction</b>	<b>Possible cause</b>	<b>How to fix</b>
Hot water pressure from EWH decreased. Cold water pressure keeps at the level.	Clogged inlet safety valve	Remove the valve and clean it in water
Heating time increased	THE is covered with a layer of sludge	Remove the flange and clean the THE
	Supply voltage decreased	Contact power main operation service
Frequent tripping of thermal switch	The set temperature is close to the limit	Set lower value of water heating temperature
	Thermostat tube is covered with sludge	Take out the EWH the removable flange and gently clean the tube from scale
EWH operates but is not heating water	Valve (Fig. 1, p. 8) is not closed or out of order	Close or replace the valve (Fig. 1, p. 8)
Powered EWH does not heat water. No backlights of indicator lamps.	1) No voltage in electric network; 2) Damaged power cord. 3) Thermal switch actuated and not switched on	1) Check voltage at the electrical outlet; 2) Contact a qualified service center. 3) Disconnect from the power supply, remove EWH protective cover, press the button on thermal switch until you hear a click install the cover and turn on the power

These faults are not defects of EWH and shall be fixed by the consumer or by a specialized organization at his own expense.

In case of failure to fix problems using the above recommendations or in case of others problems revealing you should contact the authorized service center listed in the operation manual.

### 13. TRANSPORTATION AND STORAGE OF ELECTRIC WATER HEATERS

Transportation and storage of electric water heaters shall be carried out in accordance with manipulation marks on the packaging:



– need to protect the goods from moisture



– fragile, delicate handling



– recommended storage temperature range from +10° to +20° C



– correct vertical position of cargo;

### 14. DISPOSAL

When complying with the rules of EWH installation, operation and maintenance and when water quality complying with current standard the manufacturer sets EWH lifespan of 9 years from the date of purchase.

All parts of the heater are made of materials allowing, where appropriate, environmentally sound disposal which must be made in accordance with the rules and regulations of the country where the water heater is operated.

When disposing of the EWH comply with local environmental laws and guidelines.

The manufacturer reserves the right to make changes to the design and specifications of the heater without prior notice.

### 15. MANUFACTURER'S WARRANTY

The manufacturer sets 2 years as the period of warranty for water heater.

The warranty period is calculated from the date of EWH sale. If there is no or corrected date of sale and shop stamp, the warranty period is calculated from the date of EWH manufacture. Claims within the warranty period are accepted only on presentation of the warranty card with marks of the seller, and the identification plate on the casing of the EWH. Release date of a water heater is encoded in a unique serial number, located on the identification plate on the casing. EWH serial number consists of thirteen digits. The third and fourth digits of the serial number are year of manufacture, the fifth and sixth digits - month of release, the seventh and eighth digits - day of EWH release. Claims within the warranty period are accepted only on presentation of the guarantee card with marks of the seller, and the identification plate on the casing of the EWH.

The warranty shall apply to EWH only. Responsibility for compliance with principles of installation and connection shall be borne by the buyer (in case of connection by his own) or by the installer carrying out connection.

The manufacturer shall not be liable for defects due to violations of principles of installation, operation and maintenance of EWH set forth herein, including in cases where these defects have arisen due to invalid parameters of mains (electricity and water), where EWH is operated, and due to the intervention of a third party. Manufacturer's warranty does not cover claims for appearance of EWH.

## 16. INFORMATION ON THE MANUFACTURER

### **Manufacturer:**

#### **Guangdong Weber Electric Appliances Co., Ltd.**

No.D01, Jianye Road, Science and technology Industry Garden, Shunde High-tech Industrial Zone, Ronggui, Shunde Area, Foshan city, Guangdong, 528305, P.R. China.

All models have been certified and comply with requirements of European Directives: 2014/35/EU, 2014/30/EU and 2011/65/EU (RoHS).



## NOTE OF SALE

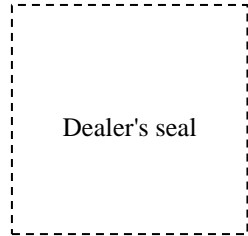
EN

Model \_\_\_\_\_ Serial No. \_\_\_\_\_

Date of sale \_\_\_\_\_, 20 \_\_\_\_ .

Dealer: \_\_\_\_\_

Dealer's representative  
signature \_\_\_\_\_



The product is completed; I have no claims for the appearance of the product. Operation manual with the necessary marks is received. I have read, understood and accepted operation rules and warranty terms.

Customer's signature: \_\_\_\_\_



## **PRIMA DEL PRIMO USO DELLO SCALDACQUA LEGGERE ATTENTIVAMENTE IL PRESENTE MANUALE D'USO**

### **GENTILE CLIENTE!**

Ci congratuliamo con Lei per l'acquisto dello scaldacqua elettrico SIERRA!

Gli scaldacqua SIERRA sono progettati e prodotti nello stretto rispetto degli standard internazionali che garantiscono l'efficienza e la sicurezza dell'uso.

Il presente manuale è valido per i modelli di serie Sierra. Il titolo completo del modello dello scaldacqua da Lei acquistato è indicato nella sezione del manuale «Contrassegno confermando la vendita» e sulla targhetta d'identità sul corpo dell'apparecchio.

### **1. APPLICAZIONE**

Lo scaldacqua elettrico (qui di seguito «Lo scaldacqua») è la soluzione per fornitura dell'acqua calda nei locali ad uso abitativo e quelli industriali dotati della tubazione di acqua fredda con la pressione minima di 0,05 MPa e la pressione massima di 0,75 MPa.

La manutenzione dello scaldacqua avvenga negli ambienti chiusi e ben riscaldati, lo scaldacqua non è adatto al lavoro con il flusso di acqua continuo (quale scaldacqua istantanei).

### **2. KIT di fornitura**

Scaldacqua elettrico	- 1 pz.
Valvola di sicurezza tipo GP	- 1 pz.
Manuale d'uso	- 1 pz.
Kit di installazione	- 1 kit
Imballaggio	- 1 pz.

### **3. PRINCIPALI CARATTERISTICHE TECNICHE**

La tensione fornita allo scaldacqua deve corrispondere al valore pari a 220-240V. La frequenza della rete di alimentazione elettrica deve essere di 50/60Hz  $\pm$  1 %. La capacità del serbatoio interno e la potenza della resistenza elettrica sono indicati sulla targhetta d'identità sul corpo dell'apparecchio. Il diametro della filettatura dei raccordi d'entrata e di uscita è G1/2".

Il produttore si riserva il diritto di riportare le variazioni nella dotazione, struttura e caratteristiche dello scaldacqua senza obbligo di preavviso.

Modello	Codice	Tempo medio di riscaldamento, $\Delta T^{\circ}=45^{\circ}\text{C}$ con la potenza di 1.5 kW	Posizionamento
Sierra 30 V	111 218	1 ore 03 minuti	verticale
Sierra 50 V	111 219	1 ore 45 minuti	verticale
Sierra 80 V	111 220	2 ore 48 minuti	verticale
Sierra 100 V	111 221	3 ore 30 minuti	verticale

#### 4. DESCRIZIONE E PRINCIPIO DI FUNZIONAMENTO DELLO SCALDACQUA

Il corpo esterno dello scaldacqua è realizzato del materiale acciaio. Il serbatoio interno ha il rivestimento speciale in biovetroporcellana che protegge a modo sicuro la superficie interna della corrosione elettrochimica. Lo spazio tra il corpo esterno ed il serbatoio interno è riempito con poliuretano schiumato che presente un'isolamento termico moderno ed ecologico con le ottime caratteristiche d'isolamento termico. I modelli Sierra sono dotati dei due raccordi filettati: per l'entrata dell'acqua fredda (Fig. 1, pos. 3) con l'anello di colore blu e per l'uscita dell'acqua calda (Fig. 1, pos. 2) – con l'anello di colore rosso. Sul lato inferiore dello scaldacqua di tutti i modelli è posizionato una manopola di comando (Fig. 1, pos. 16).

Sulle flange rimovibili sono montati i riscaldatori tubolari (resistenze elettriche) ed i sensori del termostato ed interruttore termico. La resistenza elettrica serve al riscaldamento d'acqua ed è controllata dal termostato che assicura la possibilità di regolazione graduale di temperatura di riscaldamento fino a  $+75^{\circ}\text{C}$ .

La valvola di sicurezza (Fig. 1, pos. 5) fa la funzione della valvola di ritegno che impedisce il ritorno dell'acqua dallo scaldacqua alla tubazione in caso del calo di pressione nella tubazione stessa ed anche in caso di salita di pressione in serbatoio durante il riscaldamento forte dell'acqua ed anche fa la funzione della valvola di protezione che evita sovrappressioni al serbatoio durante il riscaldamento forte dell'acqua. Durante il funzionamento dello scaldacqua l'acqua può gocciolare dall'attacco di scarico della valvola di sicurezza per lo scarico della pressione eccessiva che provvede la sicurezza dello scaldacqua. Questo attacco di scarico deve essere lasciato aperto all'atmosfera e deve essere previsto in pendenza continua verso il basso.

E indispensabile assicurare lo scarico d'acqua dall'attacco di scarico della valvola di sicurezza (Fig. 1, pos. 14) alla canalizzazione mediante l'apposito scarico (Fig. 1, pos. 6) previsto durante il montaggio.

E indispensabile provvedere regolarmente (minimo una volta al mese) allo scarico di una porzione piccola dell'acqua dall'attacco di scarico della valvola di sicurezza alla canalizzazione per lo scopo di pulizia del calcare e controllo di funzionalità della valvola di sicurezza. Una leva (Fig. 1, pos. 15) serve per aprire la

valvola di sicurezza. Occorre assicurare che durante il funzionamento dello scaldacqua la leva suindicata sia in posizione che chiuda lo scarico dell'acqua dal serbatoio.

## 5. INDICAZIONI DI SICUREZZA

La sicurezza elettrica dello scaldacqua è garantita solo in presenza della messa a terra efficace realizzata in conformità alle vigenti normative di montaggio elettrico.

L'alimentazione idrica e valvolame di ritenuta devono essere conformi ai requisiti della tubazione ed avere tutti i certificati di qualità obbligatori.

Non è ammissibile durante il montaggio e manutenzione dello scaldacqua:

- effettuare il collegamento elettrico dello scaldacqua non completamente pieno d'acqua;
- togliere la calotta di protezione con l'alimentazione elettrica accesa;
- usare lo scaldacqua senza messa a terra oppure utilizzare quale messa a terra i tubi idrici;
- connettere lo scaldacqua alla tubazione con la pressione superiore a 0,75 MPa;
- connettere lo scaldacqua alla tubazione in assenza della valvola di sicurezza;
- scaricare l'acqua dallo scaldacqua con l'alimentazione elettrica accesa;
- utilizzare ricambi non raccomandati dal Produttore;
- utilizzare l'acqua dallo scaldacqua per cucinare;
- utilizzare l'acqua contenente i pezzetti meccanici (sabbia, pietre piccole), che possono provocare il malfunzionamento dello scaldacqua e della valvola di sicurezza.
- cambiare la struttura e misure di montaggio delle staffa di sospensione dello scaldacqua.

La temperatura dell'ambiente in cui funziona lo scaldacqua deve essere compresa tra i limiti da 3°C fino a 40°C. Il congelamento dell'acqua nell'apparecchio in caso delle temperature sotto zero risulta nella sua rottura che non presenta il caso di garanzia.



**Occorre prestare l'attenzione dei bambini e prevenire i suoi giochi con lo scaldacqua. Lo scaldacqua non è adatto a manutenzione eseguita dalle persone (incluso bambini) con le abilità fisiche, tattili e mentali limitate ed anche dalle persone non istruite sull'utilizzo dello scaldacqua all'eccezione dei casi in cui l'utilizzo si effettua sotto la sorveglianza oppure secondo le istruzioni delle persone responsabili della sicurezza dello scaldacqua.**

Durante l'utilizzo dello scaldacqua occorre regolarmente fare delle verifiche del suo corretto funzionamento (assenza di perdite d'acqua, odore di bruciato, scintillamento del cablaggio, etc.). In caso della sospensione prolungata dell'uso dello scaldacqua, interruzione del funzionamento dell'alimentazione idrica o elettrica occorre scollegare lo scaldacqua dalla rete elettrica e chiudere il rubinetto dell'alimentazione di acqua fredda.

## 6. INSTALLAZIONE E COLLEGAMENTO

Tutti i lavori di montaggio, idraulici ed elettrici verranno eseguiti solo dal personale qualificato.

## 7. POSIZIONAMENTO ED INSTALLAZIONE

Tutti i lavori di montaggio, lavori idraulici ed elettrici verranno eseguiti solo dal personale qualificato.

L'installazione dello scaldacqua deve essere effettuata secondo la marchiatura sul corpo e secondo i dati dalla Tabella 1.

Si consiglia di collocare lo scaldacqua in massima prossimità dal punto di prelievo di acqua calda per evitare dispersioni di calore lungo le tubazioni.

Occorre considerare il peso totale dello scaldacqua con completo riempimento d'acqua nel processo di scelta di posto di fissaggio. Il muro ed il pavimento di scarsa robustezza richiedono rinforzamento. Ci vuole considerare l'eventuale presenza dei cavi elettrici, condotti e tubi nel processo di perforazione (esecuzione dei fori) del muro.

Lo scaldacqua viene appeso agganciando la staffa di sospensione del corpo agli ancoraggi, fissati in precedenza al muro. Il montaggio degli ancoraggi al muro deve escludere lo spostamento spontaneo delle staffe di sospensione dello scaldacqua lungo gli ancoraggi stessi.

Il Produttore non è responsabile dell'eventuale caduta dello scaldacqua in seguito al fissaggio scorretto degli ancoraggi e alla scelta sbagliata degli ultimi.

Per la manutenzione dello scaldacqua la distanza dalla calotta di protezione alla superficie più vicina in direzione dell'asse della flangia rimovibile deve essere minimo 30 centimetri per tutti i modelli.



**AVVERTENZA!** Per evitare il danno alla proprietà dell'utente e (o) delle persone terzi in caso di malfunzionamento dello sistema di fornitura dell'acqua calda occorre installare lo scaldacqua nei locali con pavimenti impermeabili e dotati dello scarico alla canalizzazione, in nessun caso non è consentito il collocamento sotto lo scaldacqua degli oggetti che possono essere danneggiati dall'acqua. In caso d'installazione nei locali non protetti occorre montare sotto lo scaldacqua una vasca di protezione con lo scarico nella canalizzazione.

Nel caso d'installazione dello scaldacqua nei posti difficilmente accessibili per manutenzione ed effettuazione dei servizi di garanzia (piani ammezzati, nicchie, controsoffitti, etc.) il montaggio e lo smontaggio dello scaldacqua va eseguito dall'utente oppure per conto dell'utente.

NB: una vasca di protezione non è inclusa nel KIT di fornitura dello scaldacqua.

## 8. COLLEGAMENTO IDRAULICO

E indispensabile alimentare lo scaldacqua con l'acqua fredda con utilizzo di pre-filtro con grado di filtraggio minimo di 200  $\mu\text{m}$ .

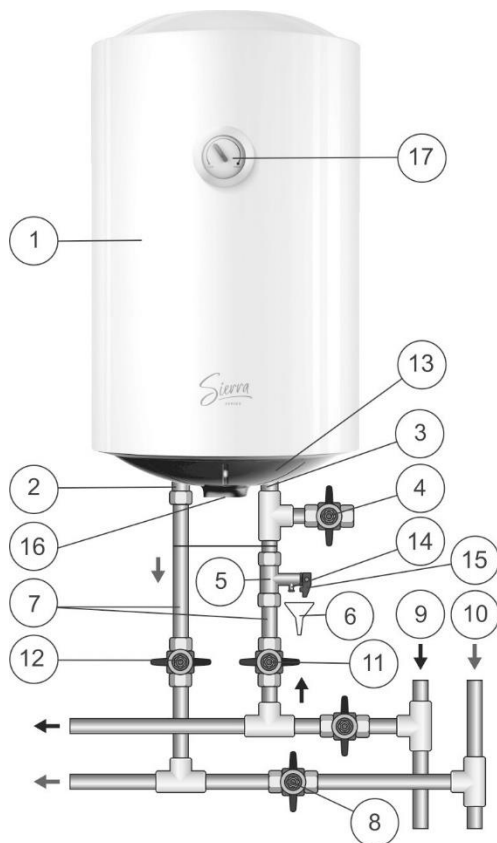
Montare la valvola di sicurezza (Fig. 1, pos. 5) all'entrata dell'acqua fredda (Fig. 1, pos. 3), un raccordo con anello di colore blu, a 3,5-4 giri assicurando la tenuta idraulica del collegamento con qualsiasi materiale di guarnizione (lino, nastro Teflon, etc.).

Durante il funzionamento dello scaldacqua l'acqua può gocciolare dall'attacco di scarico della valvola di sicurezza (si tratta dello scarico della pressione eccessiva). Si consiglia di raccordare all'attacco di scarico un tubo in gomma o silicone di idoneo diametro per lo scarico dell'acqua in eccesso.

Il collegamento idraulico si effettua secondo le indicazioni riportate sulla Fig. 1 esclusivamente a mezzo dei tubi di rame, tubi multistrato di tipo «M-pipes» (costituite da strati polimerici e metallici) o di plastica oppure dei raccordi flessibili idraulici. E vietato l'utilizzo dei raccordi flessibili idraulici già usati. Si consiglia di alimentare lo scaldacqua con l'uso di filtro defangatore montato sulla tubazione di acqua fredda (non in dotazione).



**E vietato l'utilizzo dei raccordi flessibili idraulici già usati. E vietato la manutenzione dello scaldacqua in assenza della valvola di sicurezza oppure utilizzare una valvola fornita dagli altri produttori.**



**Fig. 1. Schema del collegamento idraulico dello scaldacqua**

**Fig. 1:** 1 – Scaldacqua, 2 – raccordo per l’uscita dell’acqua calda, 3 – raccordo per l’entrata dell’acqua fredda, 4 – rubinetto di scarico (non in dotazione), 5 – valvola di sicurezza, 6 – scarico alla canalizzazione (non in dotazione), 7 – tubi di alimentazione, 8 – chiudere il rubinetto quando lo scaldacqua è in uso, 9 – tubo di acqua fredda, 10 – tubo di acqua calda, 11 – rubinetto dell’alimentazione di acqua fredda, 12 – rubinetto dell’uscita di acqua calda, 13 – calotta di protezione, 14 – attacco di scarico della valvola di sicurezza, 15 – leva di apertura della valvola di sicurezza, 16 – manopola di controllo, 17 – indicatore di temperatura.

Dopo che il collegamento idraulico sia effettuato assicurare che il rubinetto di intercettazione di acqua fredda dello scaldacqua sia aperto e che rubinetto di intercettazione di acqua calda dello scaldacqua (Fig. 1, pos. 8) sia chiuso. Aprire il rubinetto dell’alimentazione dello scaldacqua con l’acqua fredda (Fig. 1, pos. 11), il rubinetto dell’uscita di acqua calda dallo scaldacqua (Fig. 1, pos. 12) ed il rubinetto dell’acqua

calda sul miscelatore per consentire l'uscita dell'aria interna dallo scaldacqua. Al riempimento completo dello scaldacqua si verificherà un flusso costante dal miscelatore. Chiudere il rubinetto dell'acqua calda sul miscelatore. Nel caso di collegamento dello scaldacqua nei locali non dotati dell'impianto d'alimentazione idrica è consentito l'alimentazione dello scaldacqua con l'acqua da un serbatoio installato all'altezza minima di 5 metri dal punto superiore dello scaldacqua oppure da un serbatoio ausiliario a mezzo di una stazione di pompaggio.

NB: per facilitare la manutenzione dello scaldacqua durante il suo uso si consiglia d'installare il rubinetto di scarico (Fig. 1, pos. 4) in conformità alle indicazioni fornite sulla Fig. 1 (per i modelli non dotati del raccordo di scarico (non è in dotazione)).

Nel caso esistesse una pressione di rete superiore a 0,75 MPa, è necessario applicare un adeguato riduttore di pressione (non in dotazione) all'entrata dell'acqua fredda allo scaldacqua a monte della valvola di sicurezza (prima della valvola di sicurezza rispetto del senso di corso d'acqua) per assicurare la riduzione della pressione fino a quella richiesta.

## 9. COLLEGAMENTO ELETTRICO

Prima del collegamento dello scaldacqua alla rete elettrica verificare che le caratteristiche della rete siano conformi ai requisiti tecnici dello scaldacqua.

**AVVERTENZA!** Prima dell'accensione di apparecchio occorre verificare che lo scaldacqua sia completamente riempito con l'acqua!

Lo scaldacqua deve avere messa a terra per assicurare il suo funzionamento sicuro. Lo scaldacqua è già cablato ed è provvisto di spina europea. La presa elettrica deve essere dotata della messa a terra con un filo a massa collegato e deve essere collocata nel posto protetto dall'umidità oppure soddisfare i requisiti non inferiori di IPX4.

## 10. FUNZIONAMENTO

Lo scaldacqua viene acceso/spento ruotando la linea dell'indicatore sulla manopola di controllo situata sul coperchio di protezione dello scaldabagno (Fig. 1, pos. 16) sulla zona "OFF". La temperatura dell'acqua nel serbatoio interno viene regolata tramite la manopola di comando (Fig. 1, pos. 16) nel range di valori da "OFF" (valori minimi) a "HIGH" (valori massimi). La spia di controllo mostra la modalità di funzionamento dell'EWB: si accende quando l'acqua viene riscaldata e si spegne quando viene raggiunta la temperatura impostata.

## 11. MANUTENZIONE TECNICA

Al manutenzione si verifica la presenza dell'incrostazione sulla resistenza elettrica. Nel medesimo tempo si provvede alla asportazione del calcare che dovesse formarsi in fondo dello scaldacqua. Se si verifica la presenza dell'incrostazione sulla resistenza elettrica si può procedere alla disincrostazione con l'utilizzo dell'apposito detergente

contro calcare oppure meccanicamente. Si consiglia di provvedere alla prima manutenzione tecnica dopo un anno dal momento in cui lo scaldacqua sia collegato da parte dei lavoratori delle organizzazioni specializzate, conseguentemente si potrà secondo l'intensità dell'incrostazione e del calcare riscontrata stabilire i termini delle seguenti manutenzioni. Queste misure prolungano al massimo la vita utile dello scaldacqua.



**AVVERTENZA! L'accumulazione del calcare sulla resistenza elettrica può provocare il suo danneggiamento.**

NB: Le condizioni di garanzia non includono la responsabilità per il danneggiamento della resistenza elettrica a causa dell'incrostazione. La manutenzione tecnica sistematica non è inclusa nell'elenco delle obbligazioni di garanzia del produttore e del venditore.

Quale le misure di manutenzione sono previste le azioni seguenti:

- togliere la tensione dallo scaldacqua;
- lasciare raffreddare l'acqua calda oppure scaricarla dal miscelatore;
- bloccare l'alimentazione dello scaldacqua con l'acqua fredda;
- smontare la valvola di sicurezza oppure aprire l'attacco di scarico;
- collegare all'attacco per l'entrata di acqua fredda o all'attacco di scarico un tubo in gomma e collegare l'altra estremità del tubo in gomma con la canalizzazione;
- aprire il rubinetto dell'acqua calda del miscelatore e svuotare lo scaldacqua dal tubo in gomma alla canalizzazione;
- togliere la calotta di protezione, scollegare i cavi elettrici, svitare ed estrarre la controflangia dal corpo dello scaldacqua;
- provvedere alla pulizia della tensione elettrica ed asportare il calcare del serbatoio interno in caso di necessità;
- rimontare lo scaldacqua, riempire d'acqua e ripristinare l'alimentazione elettrica.

Per i modelli che hanno in dotazione il raccordo di scarico è necessario solo bloccare l'alimentazione dello scaldacqua con l'acqua fredda, svitare il tappo che chiude il raccordo di scarico e aprire il rubinetto dell'acqua calda. Dopo lo svuotamento completo del serbatoio si può per un certo tempo ripristinare l'alimentazione dello scaldacqua con l'acqua fredda per assicurare il lavaggio ulteriore del serbatoio interno.

Alla manutenzione dello scaldacqua realizzata dall'organizzazione specializzata deve essere fatto un contrassegno corrispondente nel tagliando di garanzia.

## 12. EVENTUALI ANOMALIE DI FUNZIONAMENTO E MISURE DA ADOTTARE.

<b>Anomalie riscontrate</b>	<b>Possibile causa</b>	<b>Rimedi</b>
Si verifica perdita della pressione dell'acqua calda all'uscita dello scaldacqua. La pressione dell'acqua fredda d'entrata rimane invariata	Intasatura del foro d'entrata della valvola di sicurezza	Smontare la valvola e lavarla con l'acqua
Tempo di riscaldamento è diventato più lungo	Resistenza elettrica è coperta d'incrostazione	Estrarre la resistenza elettrica e provvedere alla pulizia del calcare
	La tensione in rete elettrica ha ribassato	Chiamare personale qualificato di manutenzione della rete elettrica
Interuttore termico interviene molto frequentemente	La temperatura selezionata è vicina alla temperatura di limite	Regolare il termostato nel senso d'abbassamento di temperatura
	Il tubo del termostato è coperto d'incrostazione	Estrarre dallo scaldacqua la flangia rimovibile e attentamente provvedere alla pulizia e asportazione del calcare del tubo
Lo scaldacqua è acceso ma non riscalda l'acqua	Il rubinetto (Fig. 1, pos.8) non è chiuso o non funziona	Chiudere o sostituire il rubinetto (Fig. 1, pos.8)
Lo scaldacqua connesso alla rete elettrica non riscalda l'acqua. Le lampadine spia sul pannello di comando non si accendono	<ol style="list-style-type: none"> <li>1) Manca la tensione in rete elettrica;</li> <li>2) E danneggiato il cavo elettrico.</li> <li>3) Intervento dell'interruttore termico o l'interruttore termico non riarmato</li> </ol>	<ol style="list-style-type: none"> <li>1) Verificare la presenza della tensione nella presa elettrica;</li> <li>2) Rivolgersi al centro di assistenza qualificato.</li> <li>3) Disinserire l'apparecchio dalla rete elettrica, togliere la calotta di protezione, premere il gambo dell'interruttore termico fino ad avvertire un "click", montare la calotta di protezione e ripristinare l'alimentazione elettrica di rete</li> </ol>

Tutte le anomalie sopraindicate non presentano difetti dello scaldacqua e sono da essere eliminati dall'utente stesso oppure per conto dell'utente.

In caso in cui queste indicazioni non permettano di eliminare i difetti oppure in caso della rivelazione degli altri difetti occorre rivolgersi ai centri di assistenza tecnica.

### 13. TRASPORTO E STOCCAGGIO DEGLI SCALDACQUA ELETTRICI

Il trasporto e lo stoccaggio degli scaldacqua elettrici si effettuano in conformità ai simboli di manipolazione riportati sull'imballo:



Proteggere il carico dall'umidità



Il carico è fragile, maneggiare con cura



Temperatura raccomandata per lo stoccaggio del carico: da +10°C a +20°C



Indica la posizione verticale corretta del carico

### 14. SMALTIMENTO

Alla condizione dell'osservanza delle indicazioni per installazione, uso e manutenzione tecnica dello scaldacqua ed anche alla condizione della conformità di qualità dell'acqua utilizzata agli standard vigenti il produttore applica vita utile pari a 9 anni dalla data dell'acquisto dello scaldacqua.

Tutte le parti componenti dello scaldacqua sono prodotte dei materiali che consentono in caso di necessità il loro smaltimento sicuro per l'ambiente che deve essere effettuato secondo le normative e regolamenti del paese in cui lo scaldacqua è utilizzato.

Allo smaltimento dello scaldacqua occorre rispettare le leggi e le indicazioni locali in materia di protezione ambientale.

Il produttore si riserva il diritto di riportare le variazioni nella struttura e caratteristiche dello scaldacqua senza obbligo di preavviso.

## 15. GARANZIA DEL PRODUTTORE

Il produttore applica il periodo di garanzia per lo scaldacqua di 2 anni.

Il periodo di garanzia si calcola dalla data di acquisto dello scaldacqua. In assenza o visto l'alterazione della data di acquisto e timbro del negozio il periodo di garanzia si calcola dalla data di produzione dello scaldacqua. La data di produzione dello scaldacqua è codificata nel numero di matricola unico riportato sulla targhetta d'identità posta sul corpo dello scaldacqua. Il numero di matricola dello scaldacqua comprende tredici cifre. La terza a la quarta cifra codificano l'anno di produzione, la quinta e la sesta – mese di produzione, la settima e la ottava – il giorno di produzione dello scaldacqua. I reclami durante il periodo di garanzia si accettano solo all'esebizione del presente manuale d'uso contrassegnato dal venditore e della targhetta d'identità sul corpo dello scaldacqua.

La garanzia è valida solo per lo scaldacqua. Il malfunzionamento della valvola di sicurezza oppure del cavo d'alimentazione elettrica non risultano in sostituzione dello scaldacqua. La responsabilità dell'osservanza delle indicazioni per installazione e collegamento appartiene all'utente (in caso se effettuati dall'utente stesso) oppure all'organizzazione di montaggio che abbia eseguito il collegamento.

Il produttore non risponde per i difetti provocati da installazione, uso e manutenzione tecnico dello scaldacqua non conformi alle istruzioni fornite nel presente manuale d'uso da parte dell'utente incluso i casi di guasti conseguenti alle caratteristiche non idonee delle rete (elettrica e idraulica) con cui si usa lo scaldacqua ed anche conseguenti all'intervento di terzi. La garanzia di produttore non si applica in caso dei reclami per l'aspetto esteriore dello scaldacqua.

## 16. DATI DEL PRODUTTORE

### **Produttore:**

### **Guangdong Weber Electric Appliances Co., Ltd.**

No.D01, Jianye Road, Science and technology Industry Garden, Shunde High-tech Industrial Zone, Ronggui, Shunde Area, Foshan city, Guangdong, 528305, P.R. China.

Tutti i modelli hanno i certificati obbligatori e rispondono ai requisiti obbligatori delle Direttive Comunitarie: 2014/35/EU, 2014/30/EU, 2011/65/EU (RoHS).



## CONTRASSEGNO DI VENDITA

Modello \_\_\_\_\_ Numero di matricola \_\_\_\_\_

Data di vendita « \_\_\_\_ » \_\_\_\_\_ 20 \_\_\_\_

Venditore: \_\_\_\_\_

Firma del rappresentante  
del venditore \_\_\_\_\_



Il prodotto comprende tutte le parti; Non ho nessun reclamo per l'aspetto esteriore del prodotto. Ho ricevuto il manuale d'uso con tutti i contrassegni necessari. Ho letto, compreso ed accettato le indicazioni all'uso e le condizioni di garanzia.

Firma del cliente \_\_\_\_\_

# ANTES DE EMPEZAR A UTILIZAR EL CALENTADOR DE AGUA ELÉCTRICO, LEA ATENTAMENTE ESTE MANUAL DE INSTRUCCIONES

## ¡ESTIMADO COMPRADOR!

¡Le felicitamos con la adquisición del calentador de agua eléctrico SIERRA!

El calentador de agua eléctrico SIERRA está diseñado y fabricado en estricta conformidad con las normas internacionales que garantizan la fiabilidad y la seguridad del uso.

El presente manual se aplicará a los modelos de serie Sierra. La denominación completa del modelo del calentador de agua adquirido por Usted está indicada en la sección “Nota de venta” y en la tabla de identificación en el cuerpo del calentador de agua.

## 1. UTILIZACIÓN

El calentador de agua eléctrico (en adelante: CAE) está diseñado para suministrar el agua caliente a las unidades domésticas e industriales que tienen un conducto principal del suministro de agua fría con una presión de no menos de 0,05 MPa y no más de 0,75 MPa.

CAE deberá ser explotado en locales cerrados con calefacción y no está diseñado para el trabajo en un modo de flujo constante.

## 2. EQUIPO DE LA ENTREGA

Calentador de agua eléctrico	- 1 pc.
Válvula de seguridad de tipo GP	- 1 pc.
Manual de instrucciones	- 1 pc.
Kit de instalacion	- 1 juego
Empaque	- 1 pc.

## 3. ESPECIFICACIONES TÉCNICAS PRINCIPALES

La tensión de alimentación de CAE deberá estar en los límites de 220-240 V. Frecuencia de la red eléctrica de alimentación 50/60 Hz  $\pm$  1%. El volumen del tanque interior y la potencia del elemento calentador eléctrico están especificados en la tabla de identificación en la caja del calentador de agua. Diámetro de la rosca de las tubuladuras de conexión de agua fría y caliente: G1/2".

El fabricante reservará el derecho a introducir modificaciones en el equipo de entrega, diseño y especificaciones del calentador de agua sin previo aviso.

Tabla 1

Modelo	Código	Tiempo promedio de calentamiento, $\Delta T^{\circ}=45^{\circ}\text{C}$ con potencia de 1.5 kW	Instalación
Sierra 30 V	111 218	1 h. 03 min.	vertical
Sierra 50 V	111 219	1 h. 45 min.	vertical
Sierra 80 V	111 220	2 h. 48 min.	vertical
Sierra 100 V	111 221	3 h. 30 min.	vertical

#### 4. DESCRIPCIÓN Y PRINCIPIO DE ACCIÓN DE CAE

La caja exterior de CAE está hecha de acero. El tanque interior tiene un revestimiento especial de bio-vidrio-porcelana, que protege de manera confiable la superficie interna contra la corrosión química. El espacio entre la caja exterior y el tanque interior está llenado con poliuretano espumoso: aislamiento térmico actual ecológico que tiene mejores características de ahorro de calefacción. Los modelos Sierra tienen dos tubuladuras roscadas: para suministro de agua fría (Fig. 1, p. 3) con un anillo azul y escape de agua caliente (Fig. 1, p. 2) con un anillo rojo, y están equipados con una conexión de vaciado adicional (cerrada con una tapa de metal) para vaciar agua y lavar el tanque interior (Fig. 1, p. 17). La perilla de control (Fig. 1, p. 16) está en el lado inferior de todos los modelos de CAE.

En las bridas desmontables están montados los calentadores eléctricos tubulares (CET), sensores del termostato y del interruptor térmico. CET sirve para calentar agua y será controlado por el termostato de control de temperatura gradual hasta  $+75^{\circ}\text{C}$ .

La válvula de protección (Fig. 1, p. 5) hace las funciones de válvula de retorno obstaculizando penetración de agua del calentador de agua en la red de canalización de agua en casos de una caída de presión de dicha red y en los casos de aumento de presión en el tanque ante el calentamiento fuerte del agua, y además las funciones de válvula de seguridad rebajando presión excesiva en el tanque en caso de calentamiento fuerte del agua. Durante el funcionamiento del calentador de agua, el agua podrá penetrar del conducto de descarga de la válvula de seguridad para rebajar presión excesiva, lo que se realiza con el objetivo de garantizar la seguridad del calentador de agua. El tubo de escape debe estar abierta a la atmósfera e instalada permanentemente boca abajo.

Es necesario garantizar la desviación del agua del tubo de escape de la válvula de seguridad (Fig. 1, p. 14) a la alcantarilla y prever drenaje correspondiente al montar CAE (Fig. 1, p. 6).

Es necesario evacuar regularmente (al menos una vez al mes) una pequeña cantidad del agua a través del tubo de escape de la válvula de seguridad al alcantarillado para remover sedimentos de cal y para controlar eficacia de funcionamiento de la válvula. La válvula tiene una agarradera para abrirla. Hay que controlar que en el transcurso de

funcionamiento del calentador de agua la agarradera esté en una posición que cierre el desvío del agua del tanque.

## 5. MEDIDAS DE SEGURIDAD

La seguridad eléctrica del calentador de agua eléctrico está garantizada sólo en caso de disponibilidad del contacto con tierra eficaz realizado de conformidad con las reglas vigentes del montaje de las instalaciones eléctricas.

La fontanería y válvulas de cierre deberán corresponder a los parámetros del sistema de abastecimiento de agua y tener certificados de calidad adecuados.

Al montar y explotar el calentador de agua eléctrico no se permite:

- conectar la alimentación eléctrica si el calentador de agua eléctrico no está llenado de agua;
- quitar la tapa de protección con alimentación eléctrica conectada;
- utilizar el calentador de agua eléctrico sin contacto con tierra o usar tubos de agua para contacto con tierra;
- conectar el calentador de agua eléctrico al sistema de abastecimiento de agua con una presión de más de 0,75 MPa;
- conectar el calentador de agua eléctrico al sistema de abastecimiento de agua sin una válvula de seguridad;
- drenar agua del calentador de agua eléctrico con alimentación eléctrica conectada;
- utilizar piezas de recambio no recomendadas por el Fabricante;
- utilizar agua del calentador de agua eléctrico para preparar la comida;
- utilizar agua que contiene aditivos mecánicos (arena, piedras pequeñas) que pueden estropear funcionamiento del calentador de agua eléctrico y la válvula de seguridad.
- cambiar el diseño y las dimensiones de montaje de los soportes del calentador de agua eléctrico.

La temperatura del ambiente en que opera CAE deberá estar en los límites de 3°C a 40°C. La congelación de agua en CAE a temperaturas negativas causará fallo de CAE, el que no es un evento de garantía.



**Hay que llamar la atención de los niños para que no jueguen con el calentador de agua eléctrico. El calentador de agua eléctrico no está diseñado para ser explotado por personas (incluso niños) con capacidades físicas, sensoriales o psíquicas limitadas, así como por personas que no saben utilizar el calentador de agua eléctrico, excepto casos cuando lo anterior pasa bajo la observación o de acuerdo con instrucciones de las personas responsables por la seguridad del calentador de agua eléctrico.**

Durante explotación de CAE hay que examinar el calentador comprobando funcionamiento adecuado (ausencia de chorros, olor a quemado, chispeo de cables, etc.). En caso de interrupciones largas de servicio del calentador de agua, fallas de los sistemas de suministro de agua o suministro de energía eléctrica, hay que desconectar la alimentación eléctrica de CAE y cerrar la válvula de suministro de agua fría.

## 6. INSTALACIÓN Y CONEXIÓN

Todos los trabajos de montaje, de saneamiento y electricidad deben llevarse a cabo por un personal calificado.

## 7. COLOCACIÓN E INSTALACIÓN

Todos los trabajos de instalación, saneamiento y montaje eléctrico deberán llevarse a cabo por el personal capacitado.

La instalación del calentador de agua eléctrico se efectuará de conformidad con la marcación indicada en la caja y la Tabla 1.

Se recomienda instalar CAE lo más cerca posible del lugar de uso del agua caliente para reducir pérdidas de calor en las tuberías.

Eligiendo un lugar de montaje hay que tener en cuenta el peso total de CAE llenado con agua. Una pared o un suelo de capacidad de carga baja deberán ser reforzados. Al perforar (abrir) agujeros en las paredes hay que tomar en consideración cables, canales y tuberías que se encuentran en la pared.

Usando soportes de la caja CAE se colgará en los ganchos de áncoras fijados en la pared. El montaje de los ganchos en la pared deberá excluir desplazamiento espontáneo de los soportes de CAE en los ganchos.

El fabricante no será responsable por caída de CAE debida a instalación o elección incorrectas de áncoras de fijación.

Para efectuar el mantenimiento técnico del calentador de agua eléctrico, la distancia desde la tapa de protección hasta la superficie más cercana hacia el eje de la brida desmontable deberá ser no menos de 30 centímetros , para todos los modelos.



**¡ATENCIÓN! A efectos de evitar el daño a la propiedad del consumidor y/o de terceros en caso de fallos del sistema de suministro de agua caliente, será necesario efectuar el montaje del calentador de agua eléctrico en locales donde los suelos tengan aislamiento hidrófugo con drenaje al alcantarillado, y en ningún caso poner debajo del calentador de agua eléctrico objetos susceptibles al agua. En caso de colocar CAE en locales no protegidos, hay que instalar debajo de CAE una bandeja protectora con el drenaje al alcantarillado.**

En caso de colocar CAE en lugares poco accesibles para efectuar mantenimiento técnico y de garantía (entresuelos, nichos, espacios de entretecho, etc.), el montaje y el desmontaje de CAE se efectuarán por el consumidor mismo o a cuenta de éste.

Nota: la bandeja protectora no está prevista en el equipo de entrega de CAE.

## 8. CONEXIÓN A LA TUBERÍA DE AGUA

Es necesario suministrar agua fría en el calentador de agua eléctrico usando un prefiltro de agua con grado de purificación de no menos de 200 µm.

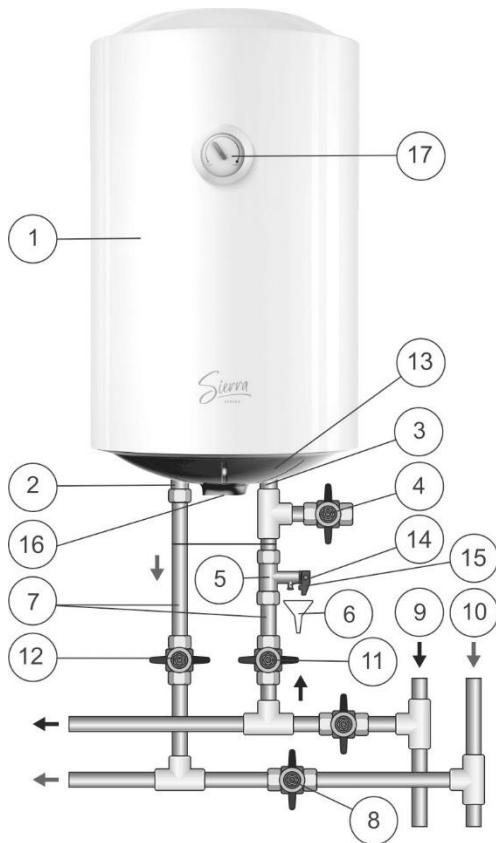
Instalar la válvula de seguridad (Fig. 1, p. 5) en la entrada del agua fría (Fig. 1, p. 3) marcada con un anillo azul atornillándola en 3,5 – 4 vueltas, asegurando estanqueidad de la interconexión con cualquier material de empaque (con lino, cinta de material de empaque de fluoropolímero, etc.).

En el curso de explotación de CAE se podrá observar gotas apareciendo del pico de drenaje de la válvula de seguridad (rebaja de presión excesiva al calentar el agua). Se recomienda conectar un tubo de goma o silicona de adecuado diámetro al pico de drenaje para evacuar la humedad.

La conexión al sistema de tuberías se efectuará de conformidad con la Figura 1 sólo por medio de tuberías de cobre, de plástico o plástico reforzado, así como con acometida de saneamiento flexible especial. Se prohíbe usar la acometida flexible ya utilizada anteriormente. Se recomienda suministrar agua vía un filtro colector de lodo instalado en el conducto principal de agua fría (no está previsto en el equipo de entrega de CAE).



**Se prohíbe usar la acometida flexible ya utilizada anteriormente. Se prohíbe explotar CAE sin válvula de seguridad o usar una válvula de otro fabricante.**



**Figura 1. Diagrama de conexión de CAE a la tubería de agua**

**Figura 1:** 1 – CAE, 2 – tubo de agua caliente, 3 – tubo de agua fría, 4 – válvula de drenaje (no está prevista en el equipo de entrega), 5 – válvula de seguridad, 6 – drenaje al alcantarillado (no está previsto en el equipo de entrega), 7 – acometida, 8 – cerrar la válvula al explotar CAE, 9 – conducto principal de agua fría, 10 – conducto principal de agua caliente, 11 – llave de cierre de agua fría, 12 – llave de cierre de agua caliente, 13 – tapa protectora, 14 – tubo de salida de la válvula de seguridad, 15 – agarradera para abrir la válvula de seguridad, 16 - perilla de control, 17 - indicador de temperatura.

Después de conectar CAE asegúrese de que la llave de cierre de agua fría está abierta y la llave de cierre de agua caliente (Fig. 1, p. 8) está cerrada. Abra la válvula de suministro de agua fría a CAE (Fig. 1, p. 11), la llave de vaciado de agua caliente de CAE (Fig. 1, p. 12) y el grifo de agua caliente del mezclador para asegurar salida de aire de CAE. Al llenar definitivamente el calentador de agua eléctrico el agua correrá del grifo del mezclador con un flujo continuo. Cierre el grifo de agua caliente del mezclador. Al conectar CAE en lugares no provistos con tubería de agua se permite

suministrar agua en CAE de un recipiente auxiliar situado a una altura de no menos de 5 metros de la parte más alta de CAE o usando una instalación de bombeo.

Nota: para facilitar mantenimiento de CAE durante explotación se recomienda instalar una válvula de drenaje (Fig. 1, p. 4) de conformidad con la figura 1 (para modelos no equipados con una tubuladura de vaciado (no está previsto en el equipo de entrega de CAE)).

Si la presión en la tubería de agua excede 0,75 MPa, hay que instalar una válvula reductora correspondiente (no está prevista en el equipo de entrega de CAE) en la entrada de agua fría a CAE ante la válvula de seguridad (en la dirección de la corriente de agua) para reducir la presión de agua hasta el valor normal.

## 9. CONEXIÓN A LA RED ELÉCTRICA

Antes de conectar la alimentación eléctrica al calentador de agua asegúrese de que los parámetros de la red corresponden a las especificaciones del calentador de agua.

**¡ATENCIÓN!** ¡Antes de conectar la alimentación eléctrica, asegúrese de que el calentador de agua eléctrico está llenado de agua!

El calentador de agua deberá tener contacto con tierra para garantizar su funcionamiento seguro. El calentador de agua está equipado con un cable de alimentación eléctrica personal con un enchufe Europlug. El receptáculo eléctrico deberá tener contacto con tierra con un cable de contacto con tierra conectado y estar en un lugar protegido contra la humedad o satisfacer los requerimientos no más bajos que IPX4.

## 10. EXPLOTACIÓN

El CAE se enciende/apaga girando la línea indicadora en la perilla de control ubicada en la cubierta protectora del calentador de agua (Fig. 1, p. 16) a la zona "OFF". La temperatura del agua en el tanque interior se ajusta con la perilla de control (Fig. 1, p. 16) en el rango de valores de "OFF" (valores mínimos) a "HIGH" (valores máximos). La luz indicadora de control muestra el modo de funcionamiento del CAE: se enciende cuando se calienta el agua y se apaga cuando se alcanza la temperatura establecida.

## 11. MANTENIMIENTO TÉCNICO

Al efectuar MT se comprobará si hay incrustación en los CET. Simultáneamente se removerá los despojos que pueden aparecer en la parte inferior de CAE. Si hay incrustación en los CET se la podrá remover usando productos de limpieza especiales o mecánicamente. Se recomienda efectuar el primer mantenimiento técnico por empleados de una empresa especializada un año después de conectar CAE determinando plazo de MT siguiente según la intensidad de incrustación y formación de despojos. La efectucción de lo anterior alargará lo máximo posible la vida útil de CAE.



**¡ATENCIÓN! La acumulación de incrustación en CET podrá causar su fallo.**

Nota: El fallo de CET no representará un evento de garantía. El mantenimiento técnico regular no está incluido en la garantía del fabricante y el vendedor.

Para realizar el MT hay que hacer lo siguiente:

- desconectar la alimentación eléctrica del calentador de agua eléctrico;
- dejar que el agua caliente se enfríe o consumirla usando el mezclador;
- cerrar entrada del agua fría en el calentador de agua eléctrico;
- destornillar la válvula de seguridad o abrir la válvula de drenaje;
- poner una manga de goma en la tubuladura de agua fría o en la válvula de drenaje dirigiendo su segundo extremo hacia el alcantarillado;
- abrir el grifo de agua caliente del mezclador y drenar el agua del calentador de agua eléctrico a través de una manga al alcantarillado;
- remover la tapa de protección, desconectar los cables, destornillar y sacar la brida de apoyo de la caja;
- si es necesario, limpiar CET de incrustación y remover despojos del tanque;
- efectuar el montaje, llenar el calentador de agua eléctrico con agua y conectar la alimentación eléctrica.

En los modelos que tienen tubuladura de drenaje será suficiente cerrar entrada del agua fría en el calentador de agua eléctrico, destornillar el tapón de la tubuladura de drenaje y abrir el grifo del agua caliente. Al vaciar el agua se podrá abrir para un rato la alimentación de agua fría en CAE para limpiar el tanque adicionalmente.

Cuando el mantenimiento técnico de CAE se efectúa por una empresa especializada hay que indicar lo mismo en el recibo de servicio.

## 12. POSIBLES DEFECTOS Y MÉTODOS DE SU ARREGLO

<b>Defecto</b>	<b>Posible causa</b>	<b>Método de arreglo</b>
Ha bajado la presión del agua caliente de CAE. La presión del agua fría sigue igual	Atascamiento del agujero de entrada de la válvula de seguridad	Remover la válvula y limpiarla con agua
CET tarda más en calentar el agua	CET tiene una capa de incrustación	Sacar CET y limpiarlo de incrustación
	Ha bajado la tensión eléctrica	Dirigirse al servicio de explotación de la red eléctrica
A menudo se pone a funcionar el interruptor térmico	La temperatura fijada es cercana a la temperatura límite	Hacer girar el regulador del termostato hacia la temperatura baja (-)
	El tubo del termostato está cubierto con incrustación	Sacar la brida de apoyo de CAE y limpiar el tubo de incrustación con cuidado
CAE funciona pero no calienta el agua	La válvula (Fig. 1, p. 8) no está cerrada o se estropeó	Cerrar o reemplazar la válvula (Fig. 1, p.8)
CAE enchufado no calienta el agua. Las lámparas del panel de control no se encienden	1) No hay tensión eléctrica; 2) El cable de alimentación está estropeado; 3) Se ha puesto en funcionamiento y no está encendido el interruptor térmico	1) Comprobar tensión eléctrica del enchufe; 2) Dirigirse a un centro de servicio especializado. 3) Desconectar CAE de la red, remover la tapa de protección, apretar el botón del interruptor térmico hasta que chasquee, poner la tapa y conectar la alimentación eléctrica

Los defectos arriba mencionados no son defectos de CAE y se arreglarán por el mismo consumidor o a cuenta del consumidor.

En caso de imposibilidad de arreglar el defecto por medio de las recomendaciones mencionadas arriba o en caso de revelar otros hay que dirigirse a un centro de servicio.

### 13. TRANSPORTE Y ALMACENAMIENTO DE CALENTADORES DE AGUA

El transporte y almacenamiento del calentador de agua eléctrico se efectuarán de conformidad con los símbolos de manipulación en el empaque:



– Necesidad de proteger el cargo contra la humedad



– Cargo frágil, manejo con cuidado



– Límites de temperatura recomendados para almacenamiento del cargo: de +10°C a +20°C



– Posición correcta vertical del cargo;

### 14. DISPOSICIÓN FINAL

En caso de cumplir con las reglas del montaje, explotación y mantenimiento técnico del calentador de agua eléctrico y si el agua utilizada corresponde a las normas vigentes, el fabricante fijará la vida útil de CAE de 9 años a partir de la fecha de la venta de CAE.

Todos los componentes del calentador de agua están fabricados de materiales que presuponen, en su caso, su disposición final ecológicamente segura, que deberá ser efectuada de conformidad con las normas y reglas del país de explotación del calentador de agua.

En caso de disposición final de CAE hay que cumplir con las leyes y recomendaciones ecológicas locales.

El fabricante reservará el derecho a introducir modificaciones en el diseño y especificaciones de CAE sin previo aviso.

### 15. GARANTÍAS DEL FABRICANTE

El fabricante establece el plazo de garantía para el calentador de agua de 2 años.

El plazo de garantía se calculará a partir de la fecha de venta del calentador de agua eléctrico. En caso de ausencia o corrección de la fecha de venta o de la factura de la tienda, el plazo de garantía se calculará a partir de la fecha de fabricación del calentador de agua eléctrico. La fecha de fabricación del calentador de agua estará codificada en el número de serie único, ubicado en la tabla de identificación en la caja del calentador de agua eléctrico. El número de serie del calentador de agua eléctrico constará de trece cifras. La tercera y la cuarta cifra del número de serie serán el año de fabricación, la quinta y la sexta, el mes de fabricación, la séptima y la octava, el día de

fabricación del calentador de agua eléctrico. Las reclamaciones en el período de garantía se aceptarán a condición de presentar el presente manual con las notas de la empresa vendedora y la tabla de identificación en la caja del calentador de agua eléctrico.

La garantía comprenderá sólo el calentador de agua eléctrico. Un deterioro de la válvula de seguridad o cable de alimentación no representará un fallo de CAE no implicando cambio de CAE. La responsabilidad por cumplimiento con las reglas de instalación y conexión recaerá sobre el comprador (si conectó CAE por sí mismo) o en la empresa de montaje que efectuó la conexión.

El fabricante no será responsable por los defectos causados por incumplimiento por el consumidor con las reglas de instalación, explotación y mantenimiento técnico del CAE expuestas en el presente manual, incluyendo los casos cuando los defectos han surgido a causa de parámetros inadmisibles de los sistemas (de electricidad y de abastecimiento del agua) en las cuales se explota CAE o a causa de intervención de terceros. La garantía de fabricante no se extenderá a reclamaciones relacionadas con la vista exterior de CAE.

## 16. DATOS DEL FABRICANTE

### **Fabricante:**

#### **Guangdong Weber Electric Appliances Co., Ltd.**

No.D01, Jianye Road, Science and technology Industry Garden, Shunde High-tech Industrial Zone, Ronggui, Shunde Area, Foshan city, Guangdong, 528305, P.R. China.

Todos los modelos obtuvieron certificados obligatorios y cumplen con los requisitos de las Directivas Europeas: 2014/35/EU, 2014/30/EU, 2011/65/EU (RoHS).



## NOTA DE VENTA

ES

Modelo \_\_\_\_\_ No. de serie \_\_\_\_\_

Fecha de venta « \_\_\_\_\_ » \_\_\_\_\_ 20 \_\_\_\_\_

Empresa – vendedor: \_\_\_\_\_

Firma del representante  
de la empresa – vendedor \_\_\_\_\_



El producto está completado, no tengo reclamaciones al aspecto exterior del artículo. He recibido el manual de instrucciones con las notas necesarias, conozco y estoy de acuerdo con las reglas de explotación y las condiciones de garantía.

Firma del comprador: \_\_\_\_\_



**Bitte lesen Sie vor der ersten Benutzung des Warmwasserspeichers alle in dieser Anweisung aufgeführten Informationen aufmerksam durch.**

### **Sehr geehrte Kunden!**

Wir gratulieren Ihnen bei Anschaffung des elektrischen Warmwasserspeichers „SIERRA“. Wir sind überzeugt, dass eine breite Palette an elektrischen Warmwasserspeicher Ihre Anforderungen und Bedürfnisse abhelfen kann. Durch die Anwendung neuer Technologie und die Benutzung der hochwertigen Materialien konnte sich die SIERRA die Popularität und das Vertrauen verschaffen

Der Warmwasserspeicher SIERRA wurde in strenger Übereinstimmung mit den einheimischen und internationalen Normen entwickelt und hergestellt, die die Zuverlässigkeit und Betriebssicherheit gewährleisten.

Diese Gebrauchsanweisung betrifft folgende: Sierra. Der Name des von Ihnen gekauften Warmwasserspeichers ist im Abschnitt „Verkauf-Vermerk“ und auf dem sich an dem Gehäuse des Warmwasserspeichers befindlichen Identifikationsschild angeben.

### **BESTIMMUNG**

Der Warmwasserspeicher (nachfolgend „Speicher“ genannt) ist für die Warmwasserversorgung der Wohn- und Betriebsobjekte, die über eine Kaltwasserleitung mit notwendigen Parametern verfügen, bestimmt.

Der Speicher ist in einem geschlossenen beheizbaren Raum zu installieren und ist nicht für den stetigen Durchlaufbetrieb vorgesehen.

Der Warmwasserspeicher (nachfolgend „Speicher“ genannt) ist für die Warmwasserversorgung der Wohn- und Betriebsobjekte, die mit der Kaltwasserleitung mit einem Druck von min. 0,05 MPa und max. 0,75 MPa ausgestattet sind.

### **LIEFERUMFANG**

1. Warmwasserspeicher .....	1 St.
2. Sicherheitsventil Typ GP.....	1 St.
3. Bedienungsanleitung .....	1 St.
4. Verpackung .....	1 St.
5. Einbausatz .....	1 Satz

## **1. TECHNISCHE GRUNDDATEN**

Die elektrische Spannung von allen Typen und Ausführungen der elektrischen Warmwasserspeicher soll 220-240 B. Die Frequenz der Speiseleitung ist 50/60 Hz  $\pm$  1 %. Das Innentankvolumen und die Heizkörperleistung sind in der Identifikationstabelle am Gehäuse des Geräts angegeben. Der Gewindedurchmesser der Wassereinfluss- und -auslassstutzen ist G1/2.

Der Hersteller behält sich das Recht vor, die Ausstattung, Ausführung und Eigenschaften des Warmwasserspeichers ohne Voranmeldung zu ändern.

**Tabelle 1**

<b>Bezeichnung</b>	<b>Code</b>	<b>Durchschnittliche Heizzeit um <math>\Delta T=45^{\circ}\text{C}</math> bei einer Leistung von 1,5 kW</b>
Sierra 30 V	111 218	1 stunden 03 min.
Sierra 50 V	111 219	1 stunden 45 min.
Sierra 80 V	111 220	2 stunden 48 min.
Sierra 100 V	111 221	3 stunden 30 min.

## **BESCHREIBUNG UND FUNKTION DES WARMWASSERSPEICHERS**

Das Außengehäuse des elektrischen Warmwasserspeichers ist aus Stahl ausgeführt. Der Innentank hat eine Spezialbeschichtung aus Vitroporzellan, die die Innenfläche vor der chemischen Korrosion sicher schützen. Der Raum zwischen dem Außengehäuse und den Innenbehältern ist mit Polyurethanschaum, einer modernen umweltfreundlichen Wasserdichtung mit den besten Wärmeschutzeigenschaften gefüllt. Diese Ausführungen haben zwei Gewindestutzen: den Kaltwassereinlass (Bild 1, Ziffer 3) mit dem blauen Ring und den Warmwasserauslass (Bild 1, Ziffer 2) mit dem roten Ring. Auf der Unterseite des elektrischen Warmwasserspeichers befindet sich in allen Ausführungen das Bedienknopf (Bild 1, Ziffer 16).

Am abnehmbaren Flansch sind ein elektrischer Rohrheizer sowie Thermostat- und Theroschaltersensoren montiert. Der elektrische Rohrheizer dient zur Wasserheizung und ist thermostatgesteuert, wobei der Thermostat stufenweise auf bis zu  $+75^{\circ}\text{C}$  eingestellt wird.

Der Sicherheitsventil (Bild 1, Ziffer 5) funktioniert als Rücklaufventil. Er läßt das Wasser aus dem Warmwasserspeicher in die Wasserleitung nicht reinfließen, falls gleichzeitig der Druck in der Wasserleitung abfällt und der Druck im Warmwasserspeicher steigt, indem das Wasser stark erhitzt. Während des Betriebes des Speichers kann das Wasser aus dem Auslaufrohr des Sicherheitsventils zur Überdruckabsenkung absckern. Das geschieht zur Sicherheit des Warmwasserspeichers. Dieses Auslassrohr ist für die Umluft offen zu erhalten und ist ständig nach unten zu richten und soll sich in der frostfreien Umgebung befinden.

Es ist notwendig, den Wasserzufuhr aus dem Auslaufrohr des Sicherheitsventils (Bild 1, Ziffer 14) in das Abwassersystem zu sichern. Dazu ist bei Installation des Speichers eine entsprechende Drainage vorzusehen (Bild 1, Ziffer 6).

Es ist notwendig, eine Menge Wasser über das Auslaufrohr des Sicherheitsventils in das Abwassersystem regelmäßig (mindestens einmal im Monat) zur Beseitigung der Kalkablagerung und zur Funktionsprüfung des Sicherheitsventils auslaufen zu lassen. Zum Öffnen ist der Sicherheitsventil mit einem Griff ausgestattet (Bild 1, Ziffer 15).

Während des Betriebes des Warmwasserspeichers ist der Griff in der Zu-Position zu stehen.

### SICHERHEITSMASSNAHMEN

Die elektrische Sicherheit des Speichers werden nur bei effektiver Erdung, die gemäß den Normen für Montage von elektrischen Geräten gemacht wurde, gewährleistet.

Der Sanitäranschluss und der Absperrarmatur müssen den Parametern der Wasserleitung entsprechen und über die notwendige Qualitätszertifikate verfügen.

Während der Installation und des Betriebs des Warmwasserspeichers ist nicht zugelassen:

- den Warmwasserspeicher an das Elektronetz anzuschließen, wenn er mit Wasser nicht gefüllt ist;
- die Schutzdecke vom eingeschalteten Gerät abzunehmen;
- den Warmwasserspeicher ohne Erdung in Betrieb zu nehmen;
- den Warmwasserspeicher an die Wasserleitung mit Druck von über 0,75 MPa anzuschließen;
- den Warmwasserspeicher an die Wasserleitung ohne Sicherheitsventil anzuschließen;
- das Wasser aus dem Warmwasserspeicher bei eingeschalteter Netzversorgung abzugießen;
- Ersatzteile, die vom Hersteller nicht empfohlen sind, einzubauen;
- das Wasser aus dem Warmwasserspeichers zum Kochen zu nutzen;
- Wasser, das mit Fremdstoffen (Sand, kleine Steine) belastet ist, zu nutzen, denn sie können die Funktion des Warmwasserspeichers und des Sicherheitsventils stören.
- Konstruktion und Befestigungsmaß der Konsolen des Speichers zu ändern.

Die Umgebungstemperatur, bei der der Warmwasserspeicher benutzt wird, soll zwischen 3°C und 40°C liegen. Ausfrieren von Wasser im Speicher bei Minustemperatur kann Betriebsausfall des Geräts zur Folge haben. Das ist kein Garantiefall.



**Weisen Sie Ihren Kindern darauf hin, dass sie mit dem Warmwasserspeicher nicht spielen dürfen. Der Speicher soll nicht von Menschen (auch Kinder) mit körperlichen, taktilen oder psychischen Einschränkungen, sowie von Menschen, die mit dem Speicher nicht umgehen können, benutzt werden. Ausgenommen sind Fälle, wenn das unter Überwachung oder nach Anweisungen der Person, die für die Sicherheit des Warmwasserspeichers verantwortlich ist, erfolgt.**

## INSTALLATION UND ANSCHLUSS

Alle Installations-, Installateur- und Elektroarbeiten müssen durch geschultes Personal abgewickelt werden.

## AUFSTELLUNG UND INSTALLATION

Die Aufstellung des Speichers erfolgt gemäß der am Gehäuse gekennzeichneten Markierung und in der Tabelle angegebenen Daten:

Bezeichnung	Austellung
Sierra 30 V	Senkrechte Montage, Stutzen nach unten;
Sierra 50 V	
Sierra 80 V	
Sierra 100 V	

Empfehlenswert ist, den Speicher in maximaler Nähe von der Stelle der Warmwasserverwendung aufzustellen, um Warmverluste in der Wasserleitung zu reduzieren.

Bei Bohren der Löcher in die Wand muss man die Anordnung der angelegten Kabel, Kanäle und Röhre berücksichtigen. Besitzen die Wände und der Boden ungenügende Tragfähigkeit, so müssen sie sachgerecht befestigt werden.

Der elektrische Warmwasserspeicher wird an den Gehäusekonsolen an den an der Wand zu befestigenden Ankerhaken gehängt. Die Montage der Haken in der Wand soll die spontane Bewegung der Konsolen ausschließen.

Zur Wartung des der elektrischen Warmwasserspeichers soll der Abstand zwischen dem Schutzdeckel und der nächsten Oberfläche in der Richtung der Achse des abnehmbaren Flansches für alle Ausführungen zumindest 30 cm betragen;



**Um die Beschädigung des Vermögens des Benutzers und (oder) des Dritten durch Mängel des Warmwasserversorgungssystems zu vermeiden, soll der Speicher in einem Raum mit Bodenabdichtung und Drainage in Abwasserleitung installiert werden. Die wasserempfindlichen Gegenstände sollen unter dem Speicher nicht gestellt werden. Wird der Speicher in einem nicht geschützten Raum installiert, so ist eine Bodenwanne (nicht im Lieferumfang) mit Drainage in Abwasserleitung aufzustellen.**

Wird der Speicher an für Wartung und Service schwerzugänglichen Stellen (Halbgeschoss, Mauernische, Zwischendecke u.a) aufgestellt, so wird die Montage und die Demontage des Speichers durch den Kunden oder auf seinen Kosten durchgeführt.

Anmerkung: Die Bodenwanne ist im Lieferumfang des elektrischen Warmwasserspeichers nicht enthalten nicht.

## WASSERANSCHLUSS

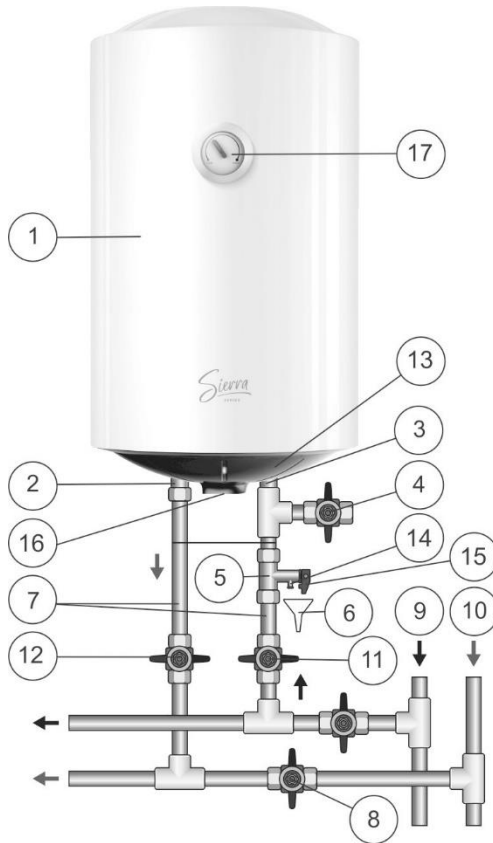
Verstellen Sie das Sicherungsventil (Bild 1, Ziffer 5) am Kaltwassereinlass (Bild 1, Ziffer 3), mit dem blauen Ring markiert, indem Sie es um 3,4 bis 4 Umdrehungen verdrehen und den Anschluss mit einem beliebigen Dichtungsmaterial (Lein, Gewindeabdichtungsband u.a.) abdichten.



**Es ist verboten, den Speicher ohne Sicherheitsventil zu benutzen oder das Sicherheitsventil eines anderen Herstellers einzubauen.**

Während des Betriebs des elektrischen Warmwasserspeichers können Sie sehen, dass einzelne Tropfen aus dem Drainageschnabel des Sicherungsventils heraustreten (Überdruckabbau bei der Wassererhitzung). Es wird empfohlen, an den Drainageschnabel einen Gummi- oder Silikonschlauch mit entsprechendem Durchmesser zur Wasserableitung anzuschließen.

Der Wasseranschluss erfolgt gemäß Abb. 1 mittels Kupfer-, Kunststoffverbund- oder Kunststoffrohr, sowie mittels einer speziellen flexiblen Verbindung. Es ist verboten, gebrauchte flexible Verbindung zu verwenden. Es wird empfohlen, Wasser zum elektrischen Warmwasserspeicher durch einen Schmutzfilter an der Kaltwasserleitung zu leiten (nicht im Lieferumfang enthalten).



**Bild 1:** 1 – Speicher, 2 – Warmwasserleitung, 3 – Kaltwasserstutzen, 4 – Ablassventil, 5 – Sicherheitsventil, 6 – Drainage zur Entwässerung, 7 – Leitung, 8 – während des Betriebs des Speichers Ventil absperren, 9 – Kaltwasserleitung, 10 – Warmwasserleitung, 11 – Kaltwasser-Absperrventil, 12 – Warmwasser-Absperrventil, 13 – Schutzdecke, 14 – Ablassrohr des Sicherungsventils, 15 – Griff zum Öffnen des Sicherheitsventils, 16 – Bedienknopf, 17 – Temperaturanzeige.

Nach Wasseranschluss öffnen Sie den Kaltwasserversorgungsventil (Bild 1, Ziffer 11), Warmwasserzufuhrventil (Bild 1, Ziffer 12) und den Warmwasserhahn am Mischbatterie, um den Speicher zu entlüften. Sobald der Warmwasserspeicher mit Wasser gefüllt wird, läuft das Wasser aus Warmwasserhahn blasenfrei aus. Dann ziehen Sie den Warmwasserhahn zu.

Wird der Speicher an einer Stelle ohne Wasserrohrleitung anmontiert, so kann das Wasser in den Speicher aus einem zusätzlichen Behälter mittels Pumpe oder aus einem Behälter, der in Höhe von 5 m von dem oberen Rand des Speichers aufgestellt wird, zugeführt werden.

Anmerkung: Für eine einfachere Wartung des elektrischen Warmwasserspeichers bei dem Betrieb wird empfohlen, ein Ablassventil (Bild 1, Ziffer 4) in Übereinstimmung mit Bild 1 zu installieren (für die mit dem Ablassventil nicht ausgestatteten Ausführungen (nicht im Lieferumfang des elektrischen Warmwasserspeichers enthalten)).

Wenn der Wasserrohldruck 0,7 MPa übersteigt, ist ein Druckreduzierventil (nicht im Lieferumfang des elektrischen Warmwasserspeichers enthalten) bei Kaltwassereintritt vor dem Sicherheitsventil zur Verringerung des Kaltwasserdrucks bis zur Drucknorm einzubauen.

## ELEKTRISCHER ANSCHLUSS



**Vor der elektrischen Inbetriebnahme stellen Sie sicher, dass der Warmwasserspeicher mit Wasser gefüllt ist.**

Der elektrische Warmwasserspeicher ist mit einem Standard-Netzkabel mit Stecker ausgestattet.

Die Steckdose soll mit einer Erdklemme ausgestattet werden und sich an einer wassergeschützten Stelle befinden.

Die Leistung des Geräts ist 2000 W. Die Steckdose und ihre Versorgungsleitung sind für eine Nennleistung von min. 2000 W auszulegen.

Stecken Sie den Stecker in die Steckdose.

## BETRIEB

Das Speicher wird ein-/ausgeschaltet, indem die Anzeigelinie am Bedienknopf auf der Schutzabdeckung des Warmwasserbereiters (Bild 1, Ziffer 16) auf die „OFF“-Zone gedreht wird. Die Wassertemperatur im Innentank wird mit dem Drehregler (Bild 1, Ziffer 16) im Wertebereich von „OFF“ (Minimalwerte) bis „HIGH“ (Maximalwerte) eingestellt. Die Kontrollleuchte zeigt den Betriebszustand des Speicher an - sie leuchtet, wenn das Wasser erhitzt wird und erlischt, wenn die eingestellte Temperatur erreicht ist.



**Die Ansammlung von Kesselstein auf dem Rohrheizkörper kann die Beschädigung zur Folge haben.**

Die Beschädigung des Rohrheizkörpers ist kein Garantiefall. Die Garantieverpflichtungen des Herstellers und des Verkäufers umfassen die regelmäßige Wartung nicht.

Bei Durchführung der Wartungsarbeiten:

- den Speicher abschalten und vom Stromnetz trennen.
- das Warmwasser abkühlen oder abfließen lassen.
- Kaltwasserzufuhr absperren.
- das Sicherheitsventil entfernen oder das Entleerungsventil öffnen;
- den Gummischlauch auf das Kaltwasserzufuhrrohr aufsetzen und das zweite Schlauchende an die Abwasserleitung anschließen; Warmwasserhahn aufdrehen und den Speicher über den Schlauch entleeren.
- Schutzdecke abnehmen, Kabel abtrennen, Auflagerflansch losschrauben und aus dem Gehäuse rausnehmen.
- Rohrheizkörper gegebenenfalls vom Kesselstein reinigen und die Kalkablagerungen aus dem Behälter entfernen.
- Alle Teile zusammenbauen, den Speicher mit Wasser füllen und einschalten.

In den Ausführungen mit einem Drainagestutzen reicht es aus, den Kaltwasserzulauf zum elektrischen Warmwasserspeicher abzustellen, den Stopfen am Drainagestutzen abzdrehen und den Warmwasserhahn zu öffnen. Wenn das Wasser abgelassen ist, kann man Kaltwasser zum elektrischen Warmwasserspeicher einige Zeit zulaufen lassen, damit der Behälter zusätzlich gespült wird.

Bei der Wartung des elektrischen Warmwasserspeichers durch ein Fachunternehmen ist im Wartungszettel der entsprechende Vermerk zu setzen.

## STÖRUNGEN UND BEHEBUNG.

<b>Störung</b>	<b>Ursache</b>	<b>Abhilfe</b>
Druck des warmen Wasser im Speicher verminderte sich. Kaltwasserdruck unverändert geblieben	Einlaufverstopfung des Sicherheitsventils	Sicherheitsventil abnehmen und spülen
Verlängerte Aufheizzeit	Rohrheizkörper ist mit Kesselstein bedeckt	Flansch herausnehmen und Rohrheizkörper reinigen
	Spannungsabfall im Stromnetz	Wenden Sie sich an die Stromversorgungsstelle
Thermoschalter schaltet oft ein	Die vorgewählte Temperatur liegt dem oberen Grenzwert nah.	Mit der Taste «Temperature» Temperatur herunterstellen
	Thermostatrohr ist mit Kesselstein belegt.	Den Fußflansch aus dem elektrischen Warmwasserspeicher herausnehmen und den Kesselstein aus dem Rohr vorsichtig entfernen
Der elektrische Warmwasserspeicher ist im Betrieb, erwärmt jedoch das Wasser nicht	Das Ventil (Bild 1, Ziffer 8) ist nicht geschlossen oder ist ausgefallen	Das Ventil schließen oder austauschen (Bild 1, Ziffer 8)
Speicher ist eingeschaltet, aber heizt das Wasser nicht. Keine Anzeige am Bedienfeld	1) Keine Spannung im Stromnetz; 2) Netzkabel ist beschädigt.	1) Prüfen Sie, ob die Steckdose unter Spannung steht; 2) Wenden Sie an den Service-Dienst.

Die oben genannten Störungen sind keine Defekte des Speichers und können vom Benutzer selbst behoben werden

## TRANSPORT UND LAGERUNG DER ELEKTRISCHEN WARMWASSER-SPEICHER

Der Transport und die Lagerung der elektrischen Warmwasserspeicher soll in Übereinstimmung mit den auf der Verpackung angebrachten Handhabungshinweisen erfolgen:



— Feuchtigkeitsschutz;



— Vorsicht, fragile Ware;



— Empfohlene Lagerungstemperaturen: von +10°C bis zu +20°C;



— Richtige Senkrechtstellung der Ware.

### ENTSORGUNG

Die Betriebsdauer des Speichers, die vom Hersteller festgelegt wird, beträgt 9 Jahre ab Verkaufsdatum, vorbehalten, dass alle Installations-, Betriebs- und Wartungsvorschriften eingehalten wurden und die Qualität des Betriebswassers den gültigen Normen entspricht.

Bei der Entsorgung des elektrischen Warmwasserspeichers sind lokale Umweltgesetze und -empfehlungen einzuhalten.

Der Hersteller behält sich das Recht vor, den Aufbau und die Eigenschaften des elektrischen Warmwasserspeichers ohne Voranmeldung zu ändern.

### GARANTIE DES HERSTELLERS

Die Garantiezeit des Herstellers für Warmwasserspeicher beträgt zwei Jahren.

Die Garantiezeit beginnt ab Verkaufsdatum. Wenn das Verkaufsdatum oder der Stempel des Händlers nicht vorhanden sind, läuft die Garantiezeit ab Herstellungsdatum. Die Information über Herstellungsdatum ist in einer unikalen Seriennummer auf dem am Gehäuse anmontierten ID-Schild verschlüsselt. Die Seriennummer besteht aus 13 Ziffern. Die dritte und die vierte Ziffer codieren das Jahr, fünfte und sechste - den Monat, siebente und achte - Tag. Während der Garantiezeit werden Ansprüche angenommen, nur wenn die Bedienungsanleitung mit Vermerken des Händlers vorgelegt wird und der Schild am Gehäuse des Speichers vorhanden ist.

Die Garantie deckt nur den Warmwasserspeicher. Der Defekt des Sicherungsventils oder des Netzkabels führen nicht zum Austausch elektrischen Warmwasserspeichers. Die Verantwortung für die Einhaltung der Installations- und Anschlussvorschriften übernimmt der Benutzer (falls er die Installations- und Anschlussarbeiten selbst

durchführt) oder die Installationsfirma, die den Speicher installiert und angeschlossen hat.

Bei der Installation und Bedienung des Speichers soll der Benutzer die Vorschriften, die eine einwandfreie Funktion des Speichers während der Garantiezeit sichern, einhalten:

- Sicherheitsmaßnahmen und Vorschriften zu Installation, Anschluss, Bedienung, Wartung, die in dieser Bedienungsanleitung aufgeführt sind, einhalten;
- Mechanische Beschädigungen durch nachlässige Lagerung, Transport und Installation ausschließen;
- Gefrieren von Wasser im Innenbehälter ausschließen;
- Wasser ohne mechanische Fremdstoffe und chemische Beimischungen beim Erwärmen verwenden (s. Ziffer 5);
- den Speicher mit dem fehlerfreien mitgelieferten Sicherheitsventil betreiben. (s. Ziffer 5).

Der Hersteller trägt keine Verantwortung für Mängel, die von der Verletzung der Anweisungen zu Installation, Bedienung und Wartung durch den Benutzer verursacht wurden, u.a. wenn die Mängel wegen unzulässigen Netzparameter des Netzanschlusses (Strom und Wasserleitung) oder durch Eingriff des Dritten entstanden sind. Die Garantie des Herstellers erstreckt sich nicht auf die Ansprüche auf das Äußere des Speichers.

Reparatur, Austausch von Bauteilen und Ersatzteilen während der Garantiezeit verlängern die gesamte Garantiezeit nicht. Die Garantie für ersetzte oder reparierte Bauteile und Ersatzteile beträgt einen Monat.

## ANGABEN ZUM HERSTELLER

### Hersteller:

#### **Guangdong Weber Electric Appliances Co., Ltd.**

No.D01, Jianye Road, Science and technology Industry Garden, Shunde High-tech Industrial Zone, Ronggui, Shunde Area, Foshan city, Guangdong, 528305, P.R. China.

#### **Alle Modelle sind gesetzlich zugelassen und entsprechen den Richtlinien:**

2014/35/EU, 2014/30/EU, 2011/65/EU (RoHS).



## VERKAUF-VERMERK

DE

Modell \_\_\_\_\_ Seriennr \_\_\_\_\_

Verkaufsdatum « \_\_\_\_\_ » \_\_\_\_\_ 20 \_\_\_\_\_ r.

Verkäufer: \_\_\_\_\_

Unterschrift des Vertreters

des Verkäufers \_\_\_\_\_



Die Ware ist komplett ausgestattet. Ich habe keine Ansprüche auf die Geräteübersicht. Ich habe die Bedienungsanleitung mit erforderlichen Vermerken bekommen. Ich habe die Gebrauchsanweisungen und Garantiebedingungen zur Kenntnis genommen und ihnen zuerkannt.

Unterschrift des Käufers \_\_\_\_\_



## **GEACHTE KOPER!**

Wij feliciteren u van harte met de aankoop van boiler SIERRA. We zijn ervan overtuigd dat breed assortiment aan onze elektrische boilers voldoet aan alle Uw behoeften. Implementatie van moderne technologieën en materialen van de hoogste kwaliteit gedurende vervaardiging van toestellen hebben populariteit en vertrouwen bepaald voor SIERRA.

Electrische boilers SIERRA zijn ontwikkeld en geproduceerd streng in overeenstemming met de internationale standaarden, die betrouwbaarheid en veiligheid van exploitatie garanderen.

Deze handleiding geldt voor de volgende modellen van Sierra. Benaming van het model van door u aangekochte boiler staat in artikel ‘Verkoopnota’ en op het identificatiebordje op het lichaam van het apparaat.

## **BESTEMMING**

Electrische boiler (daarna in de tekst - EB) is bestemd voor voorziening met heet water van huishoudelijke en industriële objecten, die magistraal van koude watervoorziening hebben met nodige parameters.

EB moet geëxploiteerd worden in gesloten en verwarmde ruimtes en is niet bestemd voor het werk in doorstroomregime.

Electrische boiler (daarna in de tekst - EB) is bestemd voor voorziening met heet water van huishoudelijke en industriële objecten, die leidingen voor koud water hebben met de druk van niet minder dan 0.05 MPa en niet meer dan 0.75 MPa.

## **GELEVERDE SET**

1. Boiler .....	1 stuk
2. Veiligheidsventiel type GP.....	1 stuk
3. Handleiding .....	1 stuk
4. Verpakking .....	1 stuk
5. Installatie kit .....	1 set

## **VOORNAAMSTE TECHNISCHE KARAKTERISTIEKEN**

Voedingsspanning van alle types en modellen van EB moet zijn binnen de limieten van 220-240 V. Voedingsnetfrequentie is 50/60 Hz  $\pm$  1 %. Volume van de binnentank en het vermogen van verwarmingselement staan op het identificatiebordje op het lichaam van de toestel. Draaddiameter van waterinlaat- en uitlaatmondstukken – G1/2.

De producent behoudt zich het recht voor om opties, constructie en karakteristieken van de boiler aan te passen zonder voorafgaande kennisgeving.

Markering	Code	Gemiddelde opwarmtijd op $\Delta T=45^{\circ}\text{C}$ bij vermogen van 1,5 kWt
Sierra 30 V	111 218	1 u. 03 min.
Sierra 50 V	111 219	1 u. 45 min.
Sierra 80 V	111 220	2 u. 48 min.
Sierra 100 V	111 221	3 u. 30 min.

## BESCHRIJVING EN WERKINGSPRINCIPE VAN EB

Buitenhulling van EB is vervaardigd uit staal. De binnentank heeft speciale coating – biokristallijn porselein, dat veilig de binnenkant beschermt tegen chemische corrosie. De ruimte tussen buitenhulling en binnentanken is gevuld met polyurethaan – moderne, ecologisch pure thermische isolatie, die de beste karakteristieken heeft van warmtebesparing. Desbetreffende modellen hebben twee geschroefde spuitmonden: voor koud waterinlaat (Figuur 1, punt 3) met een blauwe ring en heet wateruitlaat (Figuur 1, punt 2) – met een rode ring. Op de bodem van EB, in alle modellen, bevindt het bedieningsknop zich (Figuur 1, punt 16).

Een buisvormige elektrische verwarmers (TEN) en thermostaat en thermoschakelsensoren zijn gemonteerd op een verwijderbare flens. TEN wordt gebruikt voor het verwarmen van water en wordt geregeld door een thermostaat, die een soepele temperatuurregeling tot + 75 ° C heeft.

De veiligheidsklep (Figuur 1, punt 5) dient als terugstroomklep, waardoor wordt voorkomen dat het water uit de waterverwarmer het waterleidingnet binnendringt in geval van een daling van de druk in de laatstgenoemde en in gevallen van toename van de druk in de tank bij sterke waterverwarming evenals de functies van de veiligheidsklep, het ontlast de overdruk in de tank als het water sterk wordt verwarmd. Tijdens het gebruik van de boiler kan water uit de uitlaatpijpuitlaatpijp lekken om overmatige druk te ontlasten, wat voor de veiligheid van de boiler gebeurt. Deze uitlaatpijp moet open blijven voor de atmosfeer en permanent worden omlaag geïnstalleerd in de niet-vriesomgeving.

Het is noodzakelijk om de afvoer van water uit de uitlaatpijp van de veiligheidsklep (Figuur 1, punt 14) naar het rioleringsstelsel te waarborgen, met voldoende drainage voor de installatie van de EB (Figuur 1, punt 6).

Het is noodzakelijk om regelmatig (minimaal één keer per maand) een kleine hoeveelheid water via de afvoerpijp van de veiligheidsklep naar het rioleringsstelsel af te voeren om kalkhoudende afzettingen te verwijderen en de prestaties van de klep te testen. Om de klep te openen, is deze uitgerust met een hendel (Figuur 1, punt 15). Er moet voor worden gezorgd dat tijdens het gebruik van de EB deze hendel in een stand staat die het legen van water uit de tank afsluit.

## AANWIJZINGEN VOOR VEILIGHEIDSMATREGELEN

De elektrische veiligheid van het EB is alleen gegarandeerd als er een effectieve aarding is uitgevoerd in overeenstemming met de huidige installatieregels voor elektrische installaties.

Sanitaire leidingen en afsluiters moeten voldoen aan de parameters van het waterleidingsnetwerk en beschikken over de nodige kwaliteitscertificaten.

Bij het installeren en bedienen van de EB is het niet toegestaan:

- de voeding aansluiten als het EB niet met water is gevuld;
- de beschermkap verwijderen wanneer de stroom is ingeschakeld;
- EB gebruiken zonder aarding;
- EVN opnemen in het waterleidingnetwerk met een druk van meer dan 0,75MPa;
- de EB met de watertoevoer verbinden zonder veiligheidsklep;
- het water uit het EB laten lopen wanneer de stroom is ingeschakeld;
- reserveonderdelen gebruiken die niet door de fabrikant zijn aanbevolen;
- water uit de EB gebruiken om te koken;
- water gebruiken dat mechanische onzuiverheden bevat (zand, kleine stenen), wat kan leiden tot verstoring van de EB en de veiligheidsklep.
- de ontwerp- en installatiedimensies van de EB-beugels veranderen.

De omgevingstemperatuur waarin het EVN wordt gebruikt, moet tussen 3 ° C en 40 ° C zijn. Invriezen van water in het EVN bij negatieve temperaturen leidt tot uitval van EB, hetgeen geen garantiegeval is.



**Kinderen moeten worden aangestuurd om ervoor te zorgen dat ze niet met het EB spelen. Het EB is niet bestemd voor gebruik door personen (inclusief kinderen) met beperkte fysieke, tactiele of psychische vermogens, evenals door personen die de EB niet kunnen gebruiken, behalve wanneer het wordt gemonitord of geïnstrueerd door personen die verantwoordelijk zijn voor de veiligheid van de EB.**

## INSTALLATIE EN AANSLUITING

Alle installatie-, loodgieterij- en elektrische werkzaamheden moeten worden uitgevoerd door gekwalificeerd personeel.

## PLAATSING EN INSTALLATIE

De installatie van het EB wordt uitgevoerd in overeenstemming met de markering op de behuizing en de volgende tabel:

Markering	Plaatsing
Sierra 30 V	Verticale montage, aftakleidingen naar beneden;
Sierra 50 V	
Sierra 80 V	
Sierra 100 V	

Het wordt aanbevolen om de EB zo dicht mogelijk bij de plaats waar heet water wordt gebruikt, te installeren om warmteverliezen in de leidingen te verminderen.

Bij het boren (uitvoeren van) gaten in de muur moet rekening worden gehouden met de kabels, kanalen en leidingen die er doorheen gaan. Bij het kiezen van de installatieplaats moet rekening worden gehouden met het totale gewicht van de EB gevuld met water. De muur en de vloer met een zwak draagvermogen moeten dienovereenkomstig worden versterkt.

EB wordt gehangen aan de beugels van de behuizing aan de haken van de ankers, bevestigd in de muur. De installatie van haken in de muur zou spontane bewegingen van de EB-beugels erover moeten voorkomen.

Voor het onderhoud van de EB moet de afstand van de beschermkap tot het dichtstbijzijnde oppervlak in de richting van de as van de verwijderbare flens minstens 30 centimeter bedragen - voor alle modellen;



**Om te voorkomen dat het eigendom van de consument en (of) derden wordt geschaad in het geval van storingen in het warmwatervoorzieningssysteem, is het noodzakelijk om de EB te installeren in ruimten met afdichtingvloeren en afvoer naar het rioleringssysteem en in geen geval onder EB voorwerpen te plaatsen die vatbaar zijn voor effect van water. Wanneer de EB in een onbeschermd ruimte wordt geplaatst, is het noodzakelijk om een beschermende pallet onder de EB te installeren met afvoer in de riolering.**

In het geval dat de EB wordt geplaatst op plaatsen die moeilijk toegankelijk zijn voor technische en garantieonderhoud (mezzanines, nissen, inter-plafondruimten, enz.), wordt de ontmanteling en installatie van de EB door de klant zelfstandig uitgevoerd, of op zijn kosten.

Opmerking: de pallet is niet inbegrepen bij de levering van de EB.

## AANSLUITING BIJ WATERLEIDINGSSYSTEEM

Installeer de veiligheidsklep (Figuur 1, punt 5) bij de inlaat van koud water (Figuur 1, punt 3) gemarkeerd met een blauwe ring, draai hem 3,5 - 4 slagen, zorg voor een goede dichtheid met om het even welk afdichtingsmateriaal (vlas, FUM tape, enz.)

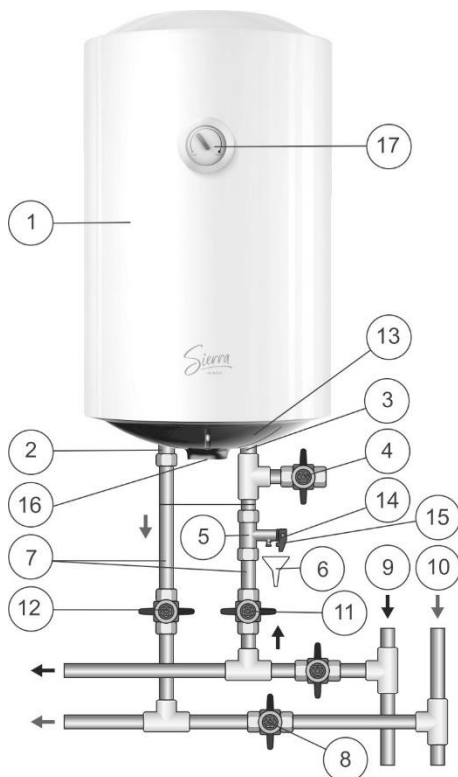


**Het is verboden om de EB te gebruiken zonder veiligheidsklep of een klep van andere fabrikanten te gebruiken.**

Tijdens de werking van de EB kunt u zien hoe de druppels van het afvoerkanaal van de veiligheidsklep verschijnen (ontlasting van te hoge druk wanneer het water wordt verwarmd). Het wordt aanbevolen om een rubberen of siliconen nieuwe buis met de juiste diameter aan het drainagekanaal te bevestigen om vocht af te voeren.

De aansluiting op het watertoevoersysteem wordt gemaakt in overeenstemming met figuur 1, alleen met behulp van koperen, plastic of kunststof buizen, evenals speciaal flexibel sanitair. Het is verboden om een flexibele sanitair te gebruiken die vroeger werd gebruikt. Het wordt aanbevolen om water toe te voeren aan de EB via een modderfilter dat is geïnstalleerd op de koudwaterleiding (niet inbegrepen in de leveringsset).

**Figuur 1. Schema van het aansluiten van de EB tot het watertoevoersysteem**



**Figuur 1:** 1 – EB, 2 – heet water mondstuk, 3 – koud water mondstuk, 4 – afvoerklep, 5 – veiligheidsventiel, 6 – drainage naar de riolering, 7 – toevoer, 8 – sluit de klep tijdens het gebruik van de EB, 9 – koudwaterleiding, 10 – warwaterleiding, 11 – koud water afsluitklep, 12 – warm water afsluitklep, 13 – beschermkap, 14 – uitlaatpijp van veiligheidsklep, 15 – handvat voor het openen van de veiligheidsklep, 16 – bedieningsknop, 17 – temperatuurindicator.

Open na het aansluiten de koudwatervoorzieningsklep (Figuur 1, punt 11) in de EB, de warmwaterkraan uit de EB (Figuur 1, punt 12) en de warmwaterkraan op de mixer om te zorgen voor luchtafvoer uit de boiler. Wanneer de EB met een continue straal uit de kraan van de mixer wordt volledig gevuld, stroomt koud water. Sluit de warmwaterkraan op de mixer af.

Bij aansluiting van de EB op plaatsen die niet zijn uitgerust met waterleidingen, is het toegestaan om water naar de EB te voeren vanuit een hulptank die zich op een hoogte van niet minder dan 5 meter van de bovenkant van de EB bevindt, of met behulp van een pompstation.

Opmerking: om het onderhoud van de EB tijdens het gebruik te vergemakkelijken, wordt het aanbevolen om een afvoerklep (Figuur 1, punt 4) te installeren in overeenstemming met Figuur 1 (voor modellen die niet zijn uitgerust met een afvoerpijp (niet inbegrepen bij de levering van de EB)).

Als de druk in de waterleiding groter is dan 0,75 MPa, dan is het bij de inlaat voor de EB noodzakelijk om een reductieventiel te installeren (niet inbegrepen in de levering van de EB) om de waterdruk naar normaal te verlagen.

## INSCHAKELLEN VAN DE ELEKTRICITEIT



**Voor het inschakelen van de elektriciteit zorg ervoor dat de EB is gevuld met water.**

EB is voorzien van een netsnoer met een stekker.

Het stopcontact moet een aardingsklem hebben en op een plaats worden geplaatst die tegen vochtigheid wordt beschermd.

Capaciteit van het toestel is 2000 Watt. Het stopcontact en de bedrading moeten geschikt zijn voor een nominaal vermogen van minstens 2000W.

Steek de stekker in het stopcontact.

## EXPLOITATIE

De EB wordt in-/uitgeschakeld door de indicatielij op de bedieningsknop op de beschermkap van de boiler (Figuur 1, punt 16) naar de "OFF"-zone te draaien. De watertemperatuur in de binnentank wordt geregeld met de regelknop (Figuur 1, punt 16) in het waardebereik van "OFF" (minimumwaarden) tot "HIGH" (maximumwaarden). Het controlelampje geeft de bedrijfsmodus van de EB weer - het brandt als het water wordt verwarmd en gaat uit als de ingestelde temperatuur is bereikt.



**Accumulatie van kalkaanslag op de TEN tijdens de exploitatie kan schade aan de TEN veroorzaken.**

Opmerking: Schade aan verwarmingselementen als gevolg van de vorming van kalkaanslag valt niet onder de garantie. Regelmatig onderhoud is niet inbegrepen in de garantieverplichtingen van de fabrikant en de verkoper.

- Voor het uitvoeren van onderhoud, moet u het volgende doen:
- schakel de voeding naar de EB uit;
- laat het hete water afkoelen of gebruik het door een mixer;
- blokkeer de stroom van koud water naar de EB;
- draai de veiligheidsklep los of open de afvoerklep;
- plaats de rubberen slang op de koudwaterinlaat of de afvoerklep en laat het tweede uiteinde in de riolering lopen;
- open de warmwaterkraan op de mixer en tap het water uit de EB af via de slang in het riool;
- verwijder de beschermkap, ontkoppel de kabels, draai de steunflens los en verwijder hem uit de behuizing;
- Maak de TEN schoon van het aanslag indien nodig en verwijder het bezinksel uit de tank;
- Monteer, vul het EB met water en schakel de stroom in.

Bij modellen met een afvoerpijp is het voldoende om het koude water dat de EB binnendringt, te blokkeren, de plug van de afvoerpijp te verwijderen en de warmwaterkraan te openen. Nadat het water is samengevoegd, kunt u de toevoer van koud water een tijdje openen naar de EB voor extra reiniging van de tank.

Bij het uitvoeren van technisch onderhoud van de EB door een gespecialiseerde organisatie, moet in de servicecoupon een overeenkomstige markering worden aangebracht.

## MOGELIJKE STORINGEN EN MANIEREN DEZE AAN TE PAKKEN.

Storing	Mogelijke reden	Manier van aanpak
De druk van heet water uit de EB nam af. Koudwaterdruk bleef hetzelfde	Verstopping van de inlaat van de veiligheidsklep	Verwijder de klep en spoel hem in water
Verhoogde verwarmingstijd	TEN werd bedekt met een laag aanslag	Verwijder de flens en maak de TEN schoon
	De elektrische netspanning is afgenomen	Neem contact op met de betreffende service van elektrische bediening
Frequente werking van de thermische uitschakelknop	Ingestelde temperatuur ligt dicht bij de limiet	Verminder temperatuur met behulp van «Temperature»-knop
	De thermostaatbuis is bedekt met aanslag	Haal de steunflens uit EB en verwijder voorzichtig aanslag van de buis
EB werkt, maar verwarmt geen water	Ventiel (Figuur 1, punt 8) is niet afgesloten of is kapot	Sluit het ventiel af of vervang hem (Figuur 1, punt 8)
Ingeschakelde EB verwarmt geen water. Op het bedieningspaneel ontbreekt indicatie	1) Er is geen spanning in elektrisch netwerk; 2) Een netwerkkabel is beschadigd.	1) Controleer aanwezigheid van de stroom in het stopcontact; 2) Neem contact op met het gespecialiseerde service centrum.

De bovengenoemde storingen zijn geen gebreken van de EB en kunnen worden verbeterd door de gebruiker zelfstandig of op zijn rekening.

### TRANSPORTERING EN BEWARING VAN ELECTRISCHE BOILERS

Transporteren en bewaring van elektrische boilers wordt gedaan in overeenstemming met de manipulatieve tekens op de verpakking:



— De noodzaak om de lading tegen vocht te beschermen



— Breekbaarheid van lading, voorwaarde van zorgvuldige behandeling



— Aanbevolen opslagtemperatuurbereik van lading: van +10°C tot +20°C



— Juiste verticale positie van vracht;

In overeenstemming met de regels voor installatie, bediening, onderhoud van de EB en de conformiteit van de kwaliteit van het gebruikte water met de huidige normen, bepaalt de producent de levensduur van de EB tot 9 jaar.

Bij het afvoeren van de EB moeten de lokale milieuwetten en -aanbevelingen in acht worden genomen.

De fabrikant behoudt zich het recht voor om wijzigingen aan te brengen in het ontwerp en de specificaties van de EB zonder voorafgaande kennisgeving.

### **GARANTIES VAN PRODUCENT**

De producent stelt de garantieperiode voor de boiler 2 jaar vast.

De garantieperiode wordt berekend vanaf de verkoopdatum van de EB. Bij afwezigheid of correctie van de datum van verkoop en het stempel van de winkel, wordt de garantieperiode berekend vanaf de datum van uitgifte van de EB. De productiedatum van de boiler is gecodeerd in een uniek serienummer op het identificatieplaatje op de EB-behuizing. Het serienummer van de EB bestaat uit dertien cijfers. Het derde en vierde cijfer van het serienummer is het jaar van uitgifte, de vijfde en zesde is de maand van uitgave, de zevende en achtste zijn de dag van de release van de EB. Claims tijdens de garantieperiode worden geaccepteerd als deze handleiding beschikbaar is met de merken van de verkoper en het identificatieplaatje op de EB-behuizing.

De garantie is alleen van toepassing op de EB. Het uitvallen van de veiligheidsklep of het elektrische netsnoer zijn geen reden voor het vervangen van de EB. De verantwoordelijkheid voor de naleving van de installatie- en verbodingsregels ligt bij de koper (in geval van zelfaansluiting) of bij de installatieorganisatie die de verbinding tot stand heeft gebracht.

Bij het installeren en gebruiken van de EB moet de gebruiker voldoen aan de vereisten die zorgen voor een probleemloze werking van het apparaat tijdens de garantieperiode:

- de veiligheidsmaatregelen en regels voor installatie, aansluiting, bediening en onderhoud uitvoeren die in deze handleiding worden beschreven;
- mechanische schade door nalatige opslag, transport en installatie uitsluiten;
- bevriezing van water in de EB uitsluiten;
- voor verwarming in EB water zonder mechanische en chemische onzuiverheden gebruiken (zie artikel 5);
- de EB met een goed werkende veiligheidsklep uit de EB-afleverkit bedienen (zie artikel 5).

De producent is niet aansprakelijk voor eventuele tekortkomingen die het gevolg zijn van schending door de consument van de regels voor installatie, bediening en het onderhoud van de EB beschreven in deze handleiding, inclusief in gevallen waarin deze tekortkomingen zijn ontstaan door onaanvaardbare parameters van de netwerken (elektriciteit en watervoorziening) waarin de EB wordt geëxploiteerd en door tussenkomst van derden. Claims over het uiterlijk van de EB vallen niet onder de fabrieksgarantie.

Reparatie, vervanging van onderdelen en componenten binnen de garantieperiode verlengt de garantieperiode voor de EB als geheel niet. De garantieperiode voor vervangen of gerepareerde componenten is één maand.

## INFORMATIE OVER DE PRODUCENT

### **Producent:**

**Guangdong Weber Electric Appliances Co., Ltd.**

No.D01, Jianye Road, Science and technology Industry Garden, Shunde High-tech Industrial Zone, Ronggui, Shunde Area, Foshan city, Guangdong, 528305, P.R. China.

**Alle Modellen sind gesetzlich zugelassen und entsprechen den Richtlinien:**

2014/35/EU, 2014/30/EU, 2011/65/EU (RoHS).




## VERKOOPNOTA

Model \_\_\_\_\_ Serie nr \_\_\_\_\_

Verkoopdatum « \_\_\_\_\_ » \_\_\_\_\_ 20 \_\_\_\_\_

Firma-verkoper: \_\_\_\_\_

Handtekening van de vertegenwoordiger van  
firma-verkoper \_\_\_\_\_

Stempel van  
firma-verkoper

Het product is volledig geleverd, ik heb geen enkele aanspraak op het uiterlijk van het product. De handleiding met de nodige markeringen heb ik ontvangen, met de regels van de werking en de voorwaarden van de garantie ben ik bekend en ik ga ermee akkoord.

Handtekening van koper: \_\_\_\_\_



**Avant la première utilisation du chauffe-eau électrique de stockage il est nécessaire de lire attentivement ce manuel d'utilisation**

### **CHER CLIENT!**

Félicitations pour votre achat du chauffe-eau électrique de stockage «SIERRA». Nous sommes sûrs que la gamme varié de nos chauffe-eaux satisfasse tous vos besoins. L'utilisation des technologies modernes et des matériaux de haute qualité pour la fabrication de nos appareils entraînent la popularité et la confiance de la SIERRA.

Le chauffe-eau est élaboré et fabriqué en parfaite conformité avec les normes nationales et internationales qui garantissent la crédibilité et la sécurité de fonctionnement.

Le présent manuel d'utilisation concerne les modèles: Sierra. La dénomination complète de votre chauffe-eau est mentionnée dans le chapitre « Informations sur la vente » et sur la plaque d'identification sur le corps du chauffe-eau.

### **DESTINATION**

Le chauffe-eau est destiné à la production de l'eau chaude dans les locaux sociaux et industriels équipés de tuyauterie d'approvisionnement en eau froide avec les paramètres nécessaires.

Le chauffe-eau doit être utilisé dans les locaux fermés chauffés et il n'est pas destiné à l'utilisation continue sous circulation.

Le chauffe-eau (ci-après – CHE) est destiné pour approvisionner de l'eau chaude des objets industriels et publics, ayant la canalisation d'eau froide avec la pression de 0,05 MPA minimum et 0,75 MPa maximum.

### **LOT DE LIVRAISON**

1. Chauffe-eau .....	1 p.
2. Soupape de sûreté de type GP .....	1 p.
3. Manuel d'utilisation.....	1 p.
4. Emballage.....	1 p.
5. Trousse d'installation.....	1 lot

### **CARACTÉRISTIQUES TECHNIQUES PRINCIPALES**

La tension d'alimentation de tous les types et modèles CHE doit être dans les limites de 220-240 V. La fréquence du réseau électrique d'alimentation 50/60 Hz  $\pm$  1 %. Le volume du réservoir intérieur et la puissance de l'élément chauffant sont indiqués dans le tableau d'identification sur le corps de l'appareil. Le diamètre du filet des tuyaux de raccord pour l'entrée et la sortie de l'eau – G1/2.

Le fabricant se réserve le droit de modifier la construction et les caractéristiques du chauffe-eau sans avis préalable.

**Tableau 1**

Marquage	Code	Temps de chauffe moyenné à $\Delta T=45^{\circ}\text{C}$ avec la puissance de 1,5 kWt
Sierra 30 V	111 218	1 h. 03 min.
Sierra 50 V	111 219	1 h. 45 min.
Sierra 80 V	111 220	2 h. 48 min.
Sierra 100 V	111 221	3 h. 30 min.

## DESCRIPTION ET MODE DE FONCTIONNEMENT DU CHAUFFE-EAU

Le corps extérieur de CHE est fabriqué en matériau acier. Le réservoir intérieur a ont le revêtement spécial en bio verre-porcelaine, protégeant fermement la surface intérieure contre la corrosion chimique. L'espace entre le corps extérieur et les réservoirs intérieurs est rempli avec de la mousse polyuréthane - isolement calorifuge moderne, pure dans le sens écologique, ayant les meilleures caractéristiques pour conserver la chaleur. Les modèles donnés ont deux tuyaux de raccord à visse: pour faire entrer l'eau froide (Figure 1, point 3) avec l'anneau bleu, et pour faire sortir l'eau chaude (Figure 1, point 2) – avec l'anneau rouge. Sur le dessous de CHE dans tous les modèles il y a le bouton de commande (Figure 1, point 16).

Sur la bride rapportée on a monté le radiateur de chauffage électrique tubulaire (CET) et les capteurs du thermostat et du thermocommutateur. CET sert pour chauffer l'eau et est commandé par le thermostat, ayant le réglage doux de température jusqu'à  $+75^{\circ}\text{C}$ .

La soupape de sûreté accomplit les fonctions du clapet de non-retour en empêchant l'infiltration de l'eau du chauffe-eau au réseau de distribution en cas de chute de la pression dans le réseau et en cas d'augmentation de la pression dans le réservoir lors du chauffage, ainsi que les fonctions du clapet de protection en diminuant la pression dans le réservoir lors du chauffage. Lors du fonctionnement du chauffe-eau l'eau peut couler du tuyau d'échappement de la soupape de sûreté pour la décompression par mesure de sécurité. Ce tuyau d'échappement de la soupape de sûreté doit être ouvert et être installé vers le bas et dans l'environnement incongélable.

Il faut assurer l'évacuation de l'eau du tuyau d'échappement de la soupape de sûreté (Figure 1, point 14) vers la canalisation en prévoyant le drainage concerné lors du montage (Figure 1, point 6).

Il est indispensable de purger un peu d'eau régulièrement (une fois par mois au moins) à travers le tuyau d'échappement de la soupape de sûreté vers la canalisation pour éliminer les dépôts calcaires et pour vérifier la capacité de fonctionnement de la soupape. La soupape est équipée de poignée pour ouvrir (Figure 1, point 15). Il faut vérifier pour que cette poignée soit en position de fermeture du réservoir lors du chauffe-eau.

## MESURES DE SÉCURITÉ

La sécurité électrique du chauffe-eau est garantie en cas de mise à la terre effective réalisée conformément aux règles de montage en vigueur des installations électriques.

Les tuyaux sanitaires et la robinetterie d'arrêt doivent être conformes aux paramètres du réseau de distribution de l'eau et avoir des certificats nécessaires.

Lors du montage et de l'utilisation du chauffe-eau il est interdit de:

- alimenter l'électricité, si le chauffe-eau n'est pas rempli avec de l'eau ;
- enlever le couvercle de protection en cas d'alimentation électrique branchée ;
- utiliser le chauffe-eau sans mise à la terre;
- connecter le chauffe-eau au réseau de distribution d'eau avec la pression de plus de 0,75 MPa;
- connecter le chauffe-eau au réseau de distribution d'eau soupape de sûreté;
- purger de l'eau du chauffe-eau en cas d'alimentation électrique branchée ;
- utiliser les pièces de rechange non recommandées par le fabricant ;
- utiliser l'eau du chauffe-eau pour préparer le repas ;
- utiliser l'eau avec des impuretés mécaniques (sable, petites pierres) qui peuvent déroger le fonctionnement du chauffe-eau et de la soupape de sûreté
- modifier la construction et les dimensions des supports du chauffe-eau .

la température de l'environnement de l'utilisation du chauffe-eau doit être dans la limite de 3°C jusqu'à 40°C. La congélation de l'eau dans le chauffe-eau sous température négative entraîne son dysfonctionnement qui n'est pas couvert par la garantie



**Les enfants ne doivent pas jouer avec le chauffe-eau. Le chauffe-eau n'est pas destiné à l'utilisation par les personnes (y compris enfants) dont les capacités physiques, sensibles ou psychiques sont réduites et par les personnes qui ne savent pas utiliser le chauffe-eau, sauf les cas de l'utilisation sous le contrôle ou selon les instructions des personnes responsables de la sécurité du chauffe-eau**

## INSTALLATION ET CONNEXION

Tous les travaux de montage, sanitaires et électromécaniques doivent être effectués par le personnel qualifié.

## PLACEMENT ET INSTALLATION

L'installation du chauffe-eau est effectuée conformément au marquage sur le corps et au tableau suivant :

Marquage	Placement
Sierra 30 V	Montage vertical; tuyaux de raccord vers le bas;
Sierra 50 V	
Sierra 80 V	
Sierra 100 V	

Il est recommandé d'installer le chauffe-eau près du lieu de l'utilisation de l'eau chaude pour diminuer les pertes de la chaleur dans les tuyaux.

Lors du perçage des murs il faut prendre en considération les câbles, les canaux et les tuyaux. En choisissant le lieu du montage il faut prendre en considération le poids total du chauffe-eau rempli avec de l'eau. Il faut renforcer le mur et le plancher de capacité du chargement.

Le chauffe-eau est suspendu sur le support du corps à l'aide des chevilles fixées contre le mur. Le montage des crochets doit exclure le déplacement spontané des supports du chauffe-eau.

Pour l'entretien du chauffe-eau la distance entre le couvercle de protection et la surface la plus proche dans la direction de la flasque de serrage doit être de 30 centimètres.



**Pour éviter les dommages aux biens de l'utilisateur et (ou) des tiers en cas des défauts du système de distribution de l'eau chaude, il faut monter le chauffe-eau dans les locaux avec l'isolation hydrofuge des planchers et le drainage dans la canalisation, il est interdit de placer les objets vulnérables par eau sous le chauffe-eau. En disposant le chauffe-eau dans les locaux non protégés il faut installer le plateau de protection sous le chauffe-eau (ne fait pas partie du lot de livraison du chauffe-eau) avec le drainage dans la canalisation.**

En disposant le chauffe-eau dans les endroits non accessibles pour l'entretien technique et de garantie (entresols, niches, espaces de plafond etc), le consommateur effectue le montage et le démontage du chauffe-eau lui-même.

Remarque: le plateau de protection ne fait pas partie du lot de livraison de CHE.

## CONNEXION AU RÉSEAU DE DISTRIBUTION DE L'EAU

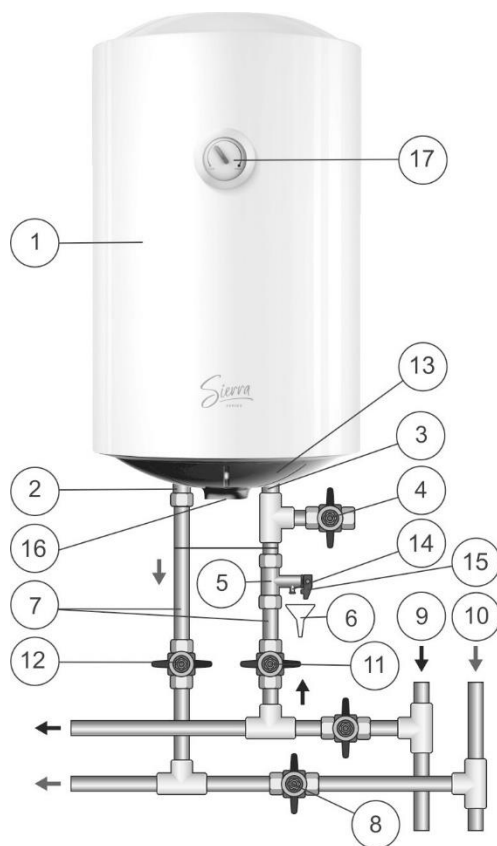
Installer la soupape de sûreté (Figure 1, point 5) à l'entrée de l'eau froide (anneau bleu) de 3,5 - 4 tours, en assurant l'étanchéité de la connexion (lin, bande etc).



**Il est interdit d'utiliser le chauffe-eau sans soupape de sûreté ou utiliser les soupapes de sûreté d'autres fabricants.**

Pendant l'exploitation de CHE vous pouvez observer l'apparition des gouttes du bec draineur de la soupape de sécurité (décharge de la surpression au chauffage d'eau). Il est recommandé de connecter au bec draineur le tube en caoutchouc ou en silicone avec le diamètre correspondant pour évacuer l'eau.

La connexion au réseau de distribution de l'eau est effectuée conformément à la figure 1 à l'aide des tuyaux en cuivre, métaloplastique et plastique et des tuyaux flexibles sanitaires. Il est interdit d'utiliser les tuyaux flexibles usés. Il est recommandé d'amener l'eau dans CHE par le filtre collecteur de boue installé sur la conduite de l'eau froide (ne fait pas partie du lot de livraison).



**Figure 1:** 1 – Chauffe-eau, 2 – Tuyau de connexion de l'eau chaude, 3 – Tuyau de connexion de l'eau froide, 4 – Soupape de purge, 5 – Soupape de sûreté, 6 – Drainage aux égouts, 7 – Tuyauterie d'amenée, 8 – Fermer le robinet d'arrêt pendant l'exploitation du chauffe-eau, 9 – Tuyauterie d'approvisionnement en eau froide, 10 – Tuyauterie d'approvisionnement en eau chaude, 11 – Robinet d'arrêt de l'amenée de l'eau froide, 12 – Robinet d'arrêt de l'amenée de l'eau chaude, 13 – Couvercle de protection, 14 – tuyau d'échappement de la soupape de sécurité, 15 – manche pour ouvrir la soupape de sécurité, 16 – bouton de commande, 17 – indicateur de température.

Après la connexion ouvrez le robinet d'amenée de l'eau froide l'eau (Figure 1, point 11) dans le chauffe-eau, le robinet de sortie de l'eau chaude du chauffe-eau (Figure 1, point 12) et le robinet de l'eau chaude du mélangeur pour assurer l'évacuation de l'air du chauffe-eau. Quand le chauffe-eau aura été rempli, l'eau coulera du robinet. Fermez le robinet de l'eau chaude du mélangeur.

Lors de l'installation du chauffe-eau dans les endroits sans réseau de distribution de l'eau il est admis d'amener l'eau du réservoir complémentaire en utilisant la station de pompage ou du réservoir situé à la hauteur de 5 m au moins du point le plus haut du chauffe-eau.

Attention: Pour faciliter le service du chauffe-eau pendant l'opération il est recommandé d'installer la soupape de purge (Figure 1, point 4) conformément au dessin 1 (pour les modèles non équipés par le tuyau de raccord d'évacuation (ne fait pas partie du lot de livraison de CHE)).

Si la pression dans le réseau de distribution de l'eau dépasse 0.75 MPa, il faut installer la soupape concernée (ne fait pas partie du lot de livraison de CHE) de réduction de la pression de l'eau froide jusqu'à la norme à l'entrée de l'eau froide dans le chauffe-eau avant la soupape de sûreté.

## CONNEXION AU RÉSEAU ÉLECTRIQUE



**Avant de brancher l'alimentation électrique assurez que le chauffe-eau est rempli avec de l'eau.**

Le chauffe-eau est équipé de câble du réseau avec la fiche.

La prise électrique doit avoir le contact de mise à la terre et être disposée dans un endroit protégé contre l'infiltration de l'eau

La puissance de l'appareil fait 2000 Wt. La prise de courant et le câblage électrique y connecté doivent être désignés pour la puissance nominale de 2000 Wt au moins.

Faire glisser la fourchette dans la prise de courant.

## OPÉRATION

CHE est allumé/éteint en tournant la ligne indicatrice du bouton de commande situé sur le couvercle de protection du chauffe-eau (Figure 2, point 16) sur la zone «OFF». La température de l'eau dans le réservoir intérieur est réglée à l'aide du bouton de commande (Figure 2, point 16) dans la plage de valeurs de «OFF» (valeurs minimales) à «HIGH» (valeurs maximales). Le voyant de contrôle affiche le mode de fonctionnement de CHE - il s'allume lorsque l'eau est chauffée et s'éteint lorsque la température réglée est atteinte.

## ENTRETIEN



**La formation des dépôts sur le chauffe-eau tubulaire peut entraîner sa détérioration.**

NOTE : La détérioration du chauffe-eau tubulaire à cause des dépôts n'est pas couverte par la garantie. L'entretien régulier ne fait pas partie des obligations contractuelles du fabricant et du vendeur.

Pour l'entretien il faut effectuer les opérations suivantes ::

- Débrancher l'alimentation électrique du chauffe-eau.;
- Laisser refroidir l'eau chaude ou purger à travers le mélangeur;
- Fermer l'amenée de l'eau froide dans le chauffe-eau.;
- Dévisser la soupape de sûreté ou ouvrir la soupape de purge;
- Connecter le tuyau en caoutchouc au tuyau d'amenée de l'eau froide, diriger le deuxième bout dans la canalisation;
- Ouvrir le robinet de l'eau chaude du mélangeur et purger l'eau du chauffe-eau à travers le tuyau dans la canalisation;
- Enlever le couvercle, débrancher les fils, dévisser et retirer la bride de fixation du corps;
- Nettoyer si nécessaire le chauffe-eau tubulaire et éliminer les dépôts du réservoir;
- π Faire le montage, remplir le chauffe-eau avec de l'eau et brancher l'alimentation.

Dans les modèles équipés du tuyau draineur il suffit d'arrêter l'amenée de l'eau froide dans CHE, dévisser le bouchon sur le tuyau draineur et ouvrir le robinet de l'eau chaude. Quand l'eau sera évacuée vous pouvez ouvrir l'amenée de l'eau froide à CHE pour quelque temps pour réaliser le lavage supplémentaire du réservoir.

Lors de l'entretien du chauffe-eau par le service spécialisé le personnel fait l'inscription concernée dans le bon de service.

## DÉFAILLANCES POSSIBLES ET MÉTHODES DE LEUR ÉLIMINATION.

Défaillance	Cause possible	Méthode de l'élimination
Diminution de la pression d'eau dans le chauffe-eau La pression d'eau est conservée	Obstruction de l'orifice d'aspiration de la soupape de sûreté	Enlevez la soupape et la lavez à l'eau
Augmentation du temps de chauffage	Couche des dépôts dans le chauffe-eau tubulaire	Démontez la flasque de serrage et nettoyez le chauffe-eau de calcin
	Diminution de la tension du réseau	Appelez au service d'exploitation du réseau électrique
Déclenchement fréquent du thermocommutateur	La température établie est près de la température limite	A l'aide du bouton «Temperature» réduire la température
	Le tube du dispositif de régulation thermostatique a des traces de dépôts	Sortir de CHE la bride d'appui et nettoyer soigneusement le tuyau de la crasse.
CHE marche mais ne chauffe pas l'eau	Le robinet (Figure 1, point 8) n'est pas fermé ou est en panne.	Fermer ou remplacer le robinet (Figure 1, point 8)
Le chauffe-eau branché au réseau électrique ne chauffe pas l'eau. Il n'y a pas d'affichage sur le panneau de commande	1) Il n'y a pas de tension dans le réseau électrique; 2) Le fil de réseau est endommagé.	1) Contrôlez la présence de la tension dans la prise de courant électrique; 2) Adressez-vous au centre de service spécialisé.

Les défaillances mentionnées ne sont pas les défauts du chauffe-eau et elles sont éliminées par l'utilisateur ou par les services spécialisés pour le compte de l'utilisateur.

Transport et stockage des chauffe-eaux électriques se réalisent en conformité des symboles de manipulation sur l'emballage:



— Nécessité de protéger le produit contre l'humidité



— Fragilité du produit, condition de manipulation prudente



— Gamme de température recommandée pour le stockage des produits: de +10°C à +20°C



— Position verticale régulière du produit;

### RÉCUPÉRATION

En cas de respect des règles de l'utilisation, de l'installation et de l'entretien du chauffe-eau et de conformité de la qualité de l'eau utilisée aux normes en vigueur, le fabricant établit le délai de service de 9 ans dès l'achat du chauffe-eau

Pendant l'utilisation de CHE il est nécessaire de respecter les lois écologiques locales et les recommandations.

Le fabricant se réserve le droit de modifier la construction et les caractéristiques du chauffe-eau sans avis préalable.

### GARANTIES DU FABRICANT

Le fabricant établit le délai de garantie du chauffe-eau de 2 ans.

Le délai de garantie est calculé à partir de la date de vente du chauffe-eau. En cas d'absence ou de correction de la date de vente et du cachet du magasin, le délai de garantie est calculé à partir de la date du chauffe-eau. Date de fabrication du chauffe-eau est chiffré dans le numéro de série original sur la plaque d'identification de la couvercle du corps du chauffe-eau. Le numéro de série du chauffe-eau se compose de treize chiffres. Le troisième et le quatrième chiffre du numéro de série est l'année de fabrication, le cinquième et le sixième — le mois de fabrication, le septième et le huitième — le jour de fabrication du chauffe-eau. Toutes les réclamations pendant la période de garantie sont acceptées sous réserve de présentation ce manuel d'utilisation avec les marques de la firme productrice et la plaque d'identification sur le corps du chauffe-eau.

La garantie ne couvre que le chauffe-eau. La panne de la soupape de sécurité ou bien du fil d'alimentation ne donnent pas droit au remplacement de CHE. L'acheteur (en cas de connexion par l'utilisateur) ou le service de montage sont responsables du respect des règles de l'installation et de la connexion.

Lors de l'installation et de l'utilisation du chauffe-eau l'utilisateur est obligé de respecter les exigences assurant le travail sans panne pendant la durée de garantie :

- effectuer les mesures de sécurité et les règles de l'installation, de la connexion, de l'utilisation et l'entretien mentionnés dans le présent manuel;
- exclure les détériorations mécaniques lors du stockage, du transport et du montage;
- exclure les détériorations de l'appareil suite à congélation de l'eau dedans;
- utiliser pour le chauffage l'eau sans additions mécaniques et chimiques (à voir le paragraphe 5).
- utiliser le chauffe-eau avec la soupape de sûreté en bon état du lot de la livraison du chauffe-eau (à voir le paragraphe 5).

Le fabricant n'est pas responsable des défauts à cause de la violation par le consommateur des règles de l'utilisation, de l'installation et de l'entretien du chauffe-eau mentionnées dans le présent manuel (y compris à cause des paramètres inadmissibles du réseau électrique et de distribution de l'eau) et à cause de l'intervention des tiers. Les réclamations de l'aspect général du chauffe-eau ne sont pas couvertes par la garantie.

La réparation et le remplacement des composants pendant le délai de garantie ne prolonge pas la durée de garantie en général. Le délai de garantie des composants réparés ou remplacés est d'un mois.

## FABRICANT

### Fabricant:

#### **Guangdong Weber Electric Appliances Co., Ltd.**

No.D01, Jianye Road, Science and technology Industry Garden, Shunde High-tech Industrial Zone, Ronggui, Shunde Area, Foshan city, Guangdong, 528305, P.R. China.

**Tous les modèles sont certifiés et sont conformes aux dispositions du Règlement technique de l'Union douanière: 2014/35/EU, 2014/30/EU, 2011/65/EU (RoHS).**



## MARQUE DE VENTE

FR

Modèle \_\_\_\_\_ N° de série \_\_\_\_\_

Date de vente « \_\_\_\_\_ » \_\_\_\_\_ 20 \_\_\_\_\_ r.

Firme productrice: \_\_\_\_\_

Signature de l'agent  
de la firme productrice \_\_\_\_\_



Le produit est complété, je n'ai aucune prétention par rapport à l'apparence du produit. Le manuel d'utilisation aux marques nécessaires reçu, les règles d'exploitation et les conditions de garantie lus et approuvés.

Signature du Client: \_\_\_\_\_



## **ПЕРЕД ПЕРВЫМ ИСПОЛЬЗОВАНИЕМ ВОДОНАГРЕВАТЕЛЯ ВНИМАТЕЛЬНО ПРОЧИТАЙТЕ НАСТОЯЩЕЕ РУКОВОДСТВО ПО ЭКСПЛУАТАЦИИ**

### **УВАЖАЕМЫЙ ПОКУПАТЕЛЬ!**

Поздравляем Вас с приобретением электроводонагревателя SIERRA. Выражаем уверенность в том, что широкий ассортимент наших электроводонагревателей удовлетворит любые Ваши потребности. Применение современных технологий и материалов высочайшего качества при изготовлении приборов определили популярность и доверие к SIERRA. Наши электроводонагреватели опционно снабжены устройством защитного отключения (УЗО), обеспечивающим Вам полную электробезопасность при эксплуатации.

Электроводонагреватели SIERRA разработаны и изготовлены в строгом соответствии с международными стандартами, гарантирующими надежность и безопасность эксплуатации.

Настоящее руководство распространяется на модели серии Sierra. Наименование модели приобретенного Вами водонагревателя указано в разделе «Гарантии изготовителя» (подраздел «Отметка о продаже») и в идентификационной табличке на корпусе прибора.

### **1. НАЗНАЧЕНИЕ**

Электроводонагреватель (далее по тексту ЭВН) предназначен для обеспечения горячей водой бытовых и промышленных объектов, имеющих магистраль холодного водоснабжения с необходимыми параметрами.

ЭВН должен эксплуатироваться в закрытых отапливаемых помещениях и не предназначен для работы в непрерывно проточном режиме.

Электроводонагреватель (далее по тексту - ЭВН) предназначен для обеспечения горячей водой бытовых и промышленных объектов, имеющих водопровод холодной воды с давлением не менее 0,05 МПа и не более 0,75 МПа.

### **2. КОМПЛЕКТ ПОСТАВКИ**

Электроводонагреватель	- 1 шт.
Предохранительный клапан типа GP	- 1 шт
Руководство по эксплуатации	- 1 шт
Монтажный комплект	- 1 комплект
Упаковка	- 1 шт

### 3. ОСНОВНЫЕ ТЕХНИЧЕСКИЕ ХАРАКТЕРИСТИКИ

Напряжение питания всех типов и моделей ЭВН должно находиться в пределах 220 - 240 В. Частота питающей электросети 50/60 Гц ± 1 %. Объем внутреннего бака и мощность нагревательного элемента указаны в идентификационной табличке на корпусе прибора. Диаметр резьбы патрубков входа и выхода воды – G1/2".

Изготовитель оставляет за собой право на внесение изменений в комплектацию, конструкцию и характеристики водонагревателя без предварительного уведомления.

Таблица 1

Модель	Артикул	Усредненное время нагрева на $\Delta T=45^{\circ}\text{C}$ при мощности 1.5 кВт
Sierra 30 V	111 218	1 ч. 03 мин.
Sierra 50 V	111 219	1 ч. 45 мин.
Sierra 80 V	111 220	2 ч. 48 мин.
Sierra 100 V	111 221	3 ч. 30 мин.

### 4. ОПИСАНИЕ И ПРИНЦИП ДЕЙСТВИЯ ЭВН

Внешний корпус ЭВН выполнен из металла. Внутренний бак имеет специальное покрытие биостеклофарфор, надежно защищающее внутреннюю поверхность от химической коррозии. Пространство между внешним корпусом и внутренним баком заполнено пенополиуретаном - современной, экологически чистой теплоизоляцией, обладающей наилучшими характеристиками теплосбережения. Модели Sierra имеют два резьбовых патрубка: для входа холодной воды (Рис. 1, п. 3) с синим кольцом и выхода горячей воды (Рис. 1, п. 2) - с красным кольцом. На нижней стороне ЭВН, во всех моделях, находится ручка управления (Рис. 1, п. 16).

На съемном фланце смонтированы трубчатый электронагреватель (ТЭН) и датчики термостата и термовыключателя. ТЭН служит для нагрева воды и управляется термостатом, который имеет плавную регулировку температуры до +75°C.

Предохранительный клапан (Рис. 1, п. 5) выполняет функции обратного клапана, препятствуя попаданию воды из водонагревателя в водопроводную сеть в случаях падения в последней давления и в случаях возрастания давления в баке при сильном нагреве воды, а также функции защитного клапана, сбрасывая избыточное давление в баке при сильном нагреве воды. Во время работы водонагревателя вода может просачиваться из выпускной трубы предохранительного клапана для сброса излишнего давления, что происходит в целях безопасности водонагревателя. Эта выпускная труба должна оставаться открытой для атмосферы и быть установлена постоянно вниз и в незамерзающей окружающей среде.

Необходимо обеспечить отвод воды из выпускной трубы предохранительного клапана (Рис. 1, п. 14) в канализацию, предусмотрев при монтаже ЭВН соответствующий дренаж (Рис. 1, п. 6).

Необходимо регулярно (не реже одного раза в месяц) проводить слив небольшого количества воды через выпускную трубу предохранительного клапана в канализацию для удаления извести осадков и для проверки работоспособности клапана. Для открывания клапана он снабжен ручкой (Рис. 1, п. 15). Необходимо следить, чтобы во время работы ЭВН эта ручка находилась в положении, закрывающем слив воды из бака.

## 5. УКАЗАНИЯ МЕР БЕЗОПАСНОСТИ

Электрическая безопасность ЭВН гарантирована только при наличии эффективного заземления, выполненного в соответствии с действующими правилами монтажа электроустановок.

Сантехническая подводка и запорная арматура должны соответствовать параметрам водопроводной сети и иметь необходимые сертификаты качества.

При монтаже и эксплуатации ЭВН не допускается:

- подключать электропитание, если ЭВН не заполнен водой;
- снимать защитную крышку при включенном электропитании;
- использовать ЭВН без заземления;
- включать ЭВН в водопроводную сеть с давлением больше 0,75 МПа;
- подключать ЭВН к водопроводу без предохранительного клапана;
- сливать воду из ЭВН при включенном электропитании;
- использовать запасные части, не рекомендованные Производителем;
- использовать воду из ЭВН для приготовления пищи;
- использовать воду, содержащую механические примеси (песок, мелкие камни), которые могут привести к нарушению работы ЭВН и предохранительного клапана.
- изменять конструкцию и установочные размеры кронштейнов ЭВН.

Температура окружающей среды, в которой эксплуатируется ЭВН, должна находиться в пределах от 3°C до 40°C. Замерзание воды в ЭВН при отрицательных температурах приводит к выходу его из строя, что не является гарантийным случаем.



**Следует обращать внимание детей на то, чтобы они не играли с ЭВН. ЭВН не предназначен для эксплуатации лицами (включая детей) с ограниченными физическими, осязательными или психическими способностями, а также лицами, не умеющими пользоваться ЭВН, за исключением случаев, когда это происходит под наблюдением или согласно инструкциям от лиц, отвечающих за безопасность ЭВН.**

## 6. УСТАНОВКА И ПОДКЛЮЧЕНИЕ

Все монтажные, сантехнические и электромонтажные работы должны проводиться квалифицированным персоналом.

## 7. РАЗМЕЩЕНИЕ И УСТАНОВКА

Установка ЭВН производится в соответствии с маркировкой, указанной на корпусе, и следующей таблицей:

Модель	Размещение
Sierra 30 V	V - вертикальное, патрубки вниз
Sierra 50 V	V - вертикальное, патрубки вниз
Sierra 80 V	V - вертикальное, патрубки вниз
Sierra 100 V	V - вертикальное, патрубки вниз

Рекомендуется устанавливать ЭВН максимально близко от места использования горячей воды, чтобы сократить потери тепла в трубах.

При сверлении (выполнении) отверстий в стене, следует учитывать проходящие в ней кабели, каналы и трубы. При выборе места монтажа необходимо учитывать общий вес ЭВН заполненного водой. Стену и пол со слабой грузоподъемностью необходимо соответственно укрепить.

ЭВН подвешивается за кронштейны корпуса на крюки анкеров, закрепляемые в стене. Монтаж крюков в стене должен исключать самопроизвольное перемещение по ним кронштейнов ЭВН.

Для обслуживания ЭВН расстояние от защитной крышки до ближайшей поверхности в направлении оси съемного фланца должно быть не менее 30 сантиметров - для всех моделей;



**ВНИМАНИЕ!** Во избежание причинения вреда имуществу потребителя и (или) третьих лиц в случае неисправностей системы горячего водоснабжения, необходимо производить монтаж ЭВН в помещениях, имеющих гидроизоляцию полов и дренаж в канализацию, и ни в коем случае не размещать под ЭВН предметы, подверженные воздействию воды. При размещении ЭВН в незащищенных помещениях необходимо установить под ЭВН защитный поддон с дренажем в канализацию.

В случае размещения ЭВН в местах, труднодоступных для проведения технического и гарантийного обслуживания (антресоли, ниши, межпотолочные пространства и т.п.) демонтаж и монтаж ЭВН осуществляется потребителем самостоятельно, либо за его счет.

Примечание: защитный поддон не входит в комплект поставки ЭВН.

## 8. ПОДКЛЮЧЕНИЕ К ВОДОПРОВОДУ

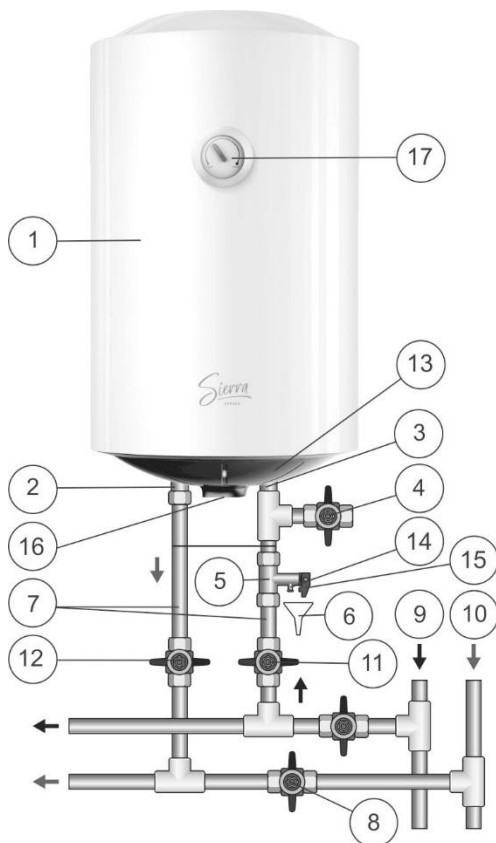
Установить предохранительный клапан (Рис. 1, п. 5) на входе холодной воды (Рис. 1, п. 3), помеченном синим кольцом, закрутив на 3,5 - 4 оборота, обеспечив герметичность соединения любым уплотнительным материалом (льном, лентой ФУМ и др.).



**Запрещается эксплуатировать ЭВН без предохранительного клапана или использовать клапан других производителей.**

Во время эксплуатации ЭВН вы можете наблюдать появление капель из дренажного ключика предохранительного клапана (сброс излишнего давления при нагреве воды). Рекомендуется присоединить к дренажному ключику резиновую или силиконовую трубку соответствующего диаметра для отвода влаги.

Подключение к водопроводной системе производится в соответствии с Рис. 1 только при помощи медных, металлопластиковых или пластиковых труб, а также специальной гибкой сантехподводки. Запрещается использовать гибкую подводку бывшую ранее в употреблении. Рекомендуется подавать воду в ЭВН через фильтр-грязевик, установленный на магистрали холодной воды (не входит в комплект поставки).



**Рисунок 1. Схема подключения ЭВН к водопроводу**

**Рисунок 1:** 1 – ЭВН, 2 – патрубок горячей воды, 3 – патрубок холодной воды, 4 – сливной вентиль, 5 – предохранительный клапан, 6 – дренаж в канализацию, 7 – подводка, 8 – перекрыть вентиль при эксплуатации ЭВН, 9 – магистраль холодной воды, 10 – магистраль горячей воды, 11 – запорный вентиль холодной воды, 12 – запорный вентиль горячей воды, 13 – защитная крышка, 14 – выпускная труба предохранительного клапана, 15 – ручка для открывания предохранительного клапана, 16 – ручка управления, 17 – индикатор температуры.

После подключения откройте вентиль подачи холодной воды (Рис. 1, п. 11) в ЭВН, кран выхода горячей воды из ЭВН (Рис. 1, п. 12) и кран горячей воды на смесителе, чтобы обеспечить отток воздуха из водонагревателя. При конечном заполнении ЭВН из крана смесителя непрерывной струей потечет холодная вода. Закройте кран горячей воды на смесителе.

При подключении ЭВН в местах, не снабженных водопроводом, допускается подавать воду в ЭВН из вспомогательной емкости, размещённой на высоте не менее 5 метров от верхней точки ЭВН, или с использованием насосной станции.

Примечание: для облегчения обслуживания ЭВН в процессе эксплуатации рекомендуется установка сливного вентиля (Рис. 1, п. 4) в соответствии с рис. 1 (для моделей, не оборудованных сливным патрубком (не входит в комплект поставки ЭВН)).

Если давление в водопроводе превышает 0,75 МПа, то на входе перед ЭВН необходимо установить редуцирующий клапан (не входит в комплект поставки ЭВН) для снижения давления воды до нормы.

## 9. ПОДКЛЮЧЕНИЕ К ЭЛЕКТРОСЕТИ



**ВНИМАНИЕ! Перед включением электропитания убедитесь, что ЭВН заполнен водой.**

ЭВН оборудован штатным шнуром электропитания с вилкой и УЗО (опционно).

Розетка должна иметь клемму заземления и располагаться в месте, защищенном от влаги.

Розетка и подведенная к ней электропроводка должны быть рассчитаны на номинальную мощность не менее 2000Вт.

Вставить вилку в розетку (если ЭВН опционно оборудован УЗО, нажать кнопку, расположенную на УЗО).

## 10. ЭКСПЛУАТАЦИЯ

Включение/выключение ЭВН осуществляется поворотом стрелки индикатора на ручке управления, расположенной на защитной крышке водонагревателя (Рис. 1, п. 16), в зону «OFF». Регулировка температуры воды во внутреннем баке осуществляется с помощью ручки управления (Рис. 1, п. 16) в диапазоне значений от «OFF» (минимальных значений) до «HIGH» (максимальных значений). Контрольная лампа индикации отображает режим работы ЭВН – светится при нагревании воды и гаснет при достижении установленной температуры.

## 11. ТЕХНИЧЕСКОЕ ОБСЛУЖИВАНИЕ

При проведении ТО проверяется наличие накипи на ТЭНе. Одновременно с этим удаляется осадок, который может образоваться в нижней части ЭВН. Если на ТЭНе образовалась накипь, то её можно удалить с помощью специальных чистящих средств, либо механическим путем. Рекомендуется через год с момента подключения ЭВН провести первое техническое обслуживание работниками специализированной организации и по интенсивности образования накипи и осадка

определить сроки проведения последующих ТО. Данное действие максимально продлит срок эксплуатации ЭВН.



**ВНИМАНИЕ!** накопление накипи на ТЭНе может стать причиной его повреждения.

Примечание: Повреждение ТЭНа из-за образования накипи не подпадает под действие гарантийных обязательств. Регулярное техническое обслуживание не входит в гарантийные обязательства изготовителя и продавца.

Для проведения ТО необходимо выполнить следующее:

- отключить электропитание ЭВН;
- дать остыть горячей воде или израсходовать ее через смеситель;
- перекрыть поступление холодной воды в ЭВН;
- отвинтить предохранительный клапан или открыть сливной вентиль;
- на патрубке подачи холодной воды или на сливной вентиль надеть резиновый шланг, направив второй его конец в канализацию;
- открыть кран горячей воды на смесителе и слить воду из ЭВН через шланг в канализацию;
- снять защитную крышку, отключить провода, отвинтить и извлечь из корпуса опорный фланец;
- очистить при необходимости ТЭН от накипи и удалить осадок из бака;
- произвести сборку, заполнить ЭВН водой и включить питание.

В моделях, имеющих дренажный патрубок, достаточно перекрыть поступление холодной воды в ЭВН, открутить заглушку на дренажном патрубке и открыть кран горячей воды. После того, как вода сольется, можно открыть на некоторое время подачу холодной воды в ЭВН для дополнительной промывки бака.

При проведении технического обслуживания ЭВН силами специализированной организации в сервисном талоне должна быть сделана соответствующая отметка.

## 12. ВОЗМОЖНЫЕ НЕИСПРАВНОСТИ И МЕТОДЫ ИХ УСТРАНЕНИЯ.

Неисправность	Возможная причина	Способ устранения
Уменьшился напор горячей воды из ЭВН. Напор холодной воды прежний	Засорение впускного отверстия предохранительного клапана	Снять клапан и промыть его в воде
Увеличилось время нагрева	ТЭН покрылся слоем накипи	Извлечь фланец и очистить ТЭН
	Понижилось напряжение электросети	Обратиться в службу эксплуатации электросети
Частое срабатывание кнопки термовыключателя	Установленная температура близка к предельной	Повернуть регулятор термостата в сторону уменьшения температуры (-)
	Трубка термостата покрылась накипью	Извлечь из ЭВН опорный фланец и аккуратно очистить трубку от накипи
ЭВН работает, но не нагревает воду	Вентиль (Рис. 1, п.8) не закрыт или вышел из строя	Закрыть или заменить вентиль (Рис. 1, п.8)
Включенный в электросеть ЭВН не нагревает воду. Отсутствует индикация на панели управления	1) Сработало УЗО (при его наличии); 2) Отсутствует напряжение в электросети; 3) Поврежден сетевой провод.	1) Нажать кнопку на УЗО; 2) Проверьте наличие напряжения в электрической розетке; 3) Обратитесь в специализированный сервисный центр.

Вышеперечисленные неисправности не являются дефектами ЭВН и устраняются потребителем самостоятельно или за его счет.

### 13. ТРАНСПОРТИРОВКА И ХРАНЕНИЕ ЭЛЕКТРОВОДОНАГРЕВАТЕЛЕЙ

Транспортировка и хранение электроводонагревателей осуществляется в соответствии с манипуляционными знаками на упаковке:



– Необходимость защиты груза от воздействия влаги



– Хрупкость груза, условие осторожного обращения



– Рекомендованный температурный диапазон хранения груза:  
от +10°C до +20°C



– Правильное вертикальное положение груза;

### 14. УТИЛИЗАЦИЯ

При соблюдении правил установки, эксплуатации, технического обслуживания ЭВН и соответствии качества используемой воды действующим стандартам изготовитель устанавливает срок службы ЭВН 9 лет.

При утилизации ЭВН необходимо соблюдать местные экологические законы и рекомендации.

Изготовитель оставляет за собой право на внесение изменений в конструкцию и характеристики ЭВН без предварительного уведомления.

### 15. ГАРАНТИИ ИЗГОТОВИТЕЛЯ

Изготовитель устанавливает срок гарантии на водонагреватель 2 года.

Срок гарантии исчисляется с даты продажи ЭВН. При отсутствии или исправлении даты продажи и штампа магазина срок гарантии исчисляется от даты выпуска ЭВН. Дата выпуска водонагревателя закодирована в уникальном серийном номере, расположенном на идентификационной табличке на корпусе ЭВН. Серийный номер ЭВН состоит из тринадцати цифр. Третья и четвертая цифра серийного номера - год выпуска, пятая и шестая - месяц выпуска, седьмая и восьмая - день выпуска ЭВН. Претензии в период срока гарантии принимаются при наличии данного руководства с отметками фирмы-продавца и идентификационной таблички на корпусе ЭВН.

Гарантия распространяется только на ЭВН. Неисправность предохранительного клапана или шнура питания не влекут за собой замену ЭВН. Ответственность за соблюдение правил установки и подключения лежит на покупателе (в

случае самостоятельного подключения) либо на монтажной организации, осуществившей подключение.

Изготовитель не несет ответственность за недостатки, возникшие вследствие нарушения потребителем правил установки, эксплуатации и технического обслуживания ЭВН, изложенных в настоящем руководстве, в т.ч. в случаях, когда эти недостатки возникли из-за недопустимых параметров сетей (электрической и водоснабжения), в которых эксплуатируется ЭВН, и вследствие вмешательства третьих лиц. На претензии по внешнему виду ЭВН гарантия изготовителя не распространяется.

## 16. СВЕДЕНИЯ ОБ ИЗГОТОВИТЕЛЕ

### **Изготовитель:**

**Guangdong Weber Electric Appliances Co., Ltd.**

No.D01, Jianye Road, Science and technology Industry Garden, Shunde High-tech Industrial Zone, Ronggui, Shunde Area, Foshan city, Guangdong, 528305, P.R. China.

Все модели прошли обязательную сертификацию и соответствуют требованиям Европейских директив: 2014/35/EU, 2014/30/EU, 2011/65/EU (RoHS).



## 17. ОТМЕТКА О ПРОДАЖЕ

Модель \_\_\_\_\_ Серийный № \_\_\_\_\_

Дата продажи « \_\_\_\_\_ » \_\_\_\_\_ 20 \_\_\_\_\_ г.

Фирма-продавец: \_\_\_\_\_

Подпись представителя  
фирмы-продавца \_\_\_\_\_



Изделие укомплектовано, к внешнему виду изделия претензий не имею.  
Руководство по эксплуатации с необходимыми отметками получил, с правилами эксплуатации и условиями гарантии ознакомлен и согласен.

Подпись покупателя: \_\_\_\_\_



## **PIRMS ŪDENS SILDĪTĀJA PIRMAS LIETOŠANAS, LŪDZU, RŪPĪGI IZLASIET ŠO LIETOŠANAS INSTRUKCIJU.**

### **CIENĪJAMĀIS KLIENTS!**

Paldies, ka iegādājāties ūdens sildītāju SIERRA!

Ūdens sildītāji SIERRA ir izstrādāti un ražoti saskaņā ar stingrākajiem starptautiskiem standartiem, kas nodrošina ekspluatatīvo drošumu un lietošanas drošību.

Šī instrukcija piemērota visiem SIERRA modeļiem. Jūsu ūdens sildītāja pilnais nosaukums norādīts daļā „Atzīme par pārdošanu” un uz identifikācijas uzlīmes, kas atrodas uz ūdens sildītāja korpusa.

### **1. FUNKCIONĀLAIS PIELIETOJUMS**

Ūdens sildītājs (turpmāk - EŪS) ir paredzēts, lai nodrošinātu ar karsto ūdeni sadzīves un rūpniecības objektus, kam ir auksts ūdensvads ar spiedienu ne mēzāku par 0,05 MPa un ne lielāku par 0,75 MPa.

EŪS ir jālieto aizvērtās apsildāmas telpās un nav paredzēts lietošanai nepārtrauktā caurplūdes režīmā.

### **2. IEPAKOJUMA SATURS**

Ūdens sildītājs	- 1 gab.
Drošības vārsts GP	- 1 gab.
Lietošanas instrukcija	- 1 gab.
Uzstādīšanas komplekts	- 1 komplekts
Iepakojums	- 1 gab.

### **3. GALVENIE TEHNISKIE RAKSTUROJUMI**

EŪS padeves spriegums nevar pārsniegt 220-240 V. Barošanas elektrotīkla frekvences augšējā robeža 50/60 Hz  $\pm$  1 %. Iekšējās tvertnes tilpums un sildītāja jauda norādīta uz identifikācijas uzlīmes, kas novietota uz iekārtu korpusa. Ūdens ieplūdes-izplūdes cauruļu diametrs ir G1/2".

Ražotājs patur sev tiesības bez brīdinājuma mainīt ūdens sildītāja komplektāciju, konstrukciju un parametrus.

Modelis	Kods	Vidējs sasilšanas laiks, $\Delta T=45^{\circ}\text{C}$ , ja jauda ir 1.5 kW	Uzstādīšana
Sierra 30 V	111 218	1 stunda 03 min.	vertikāli
Sierra 50 V	111 219	1 stunda 45 min.	vertikāli
Sierra 80 V	111 220	2 stunda 48 min	vertikāli
Sierra 100 V	111 221	3 stundas 30 min.	vertikāli

#### 4. APRAKSTS UN DARBĪBAS PRINCIPS

EŪS ārējais korpusis izgatavots no tērauda. Iekšējā tvertne ir pārklāta ar speciālo pārklājumu – biostiklaporcelānu, kas droši aizsargā iekšējo virsmu pret ķīmisko koroziju. Vietu starp ārējo korpusu un iekšējo tvertni aizpildīta ar putupoliuretānu – mūsdienīgu, ekoloģiski tīru siltumizolāciju, kam ir vislabākie siltuma saglabāšanas parametri. Sierra modeļiem ir divas vītņotās īscaurules: viena ar zīlo gredzenu aukstā ūdens iepļūdei (Att. 1 p. 3) un otra ar sarkano gredzenu karstā ūdens izpļūdei (Att. 1, p. 2). Vadības poga visiem modeļiem ir izvietots EŪS apakšā (Att. 1, p. 16).

Uz noņemama atloka ir uzmontēti cauruļveida elektriskais sildelements (CES), termostata sensori un termoslēdzis. CES ir paredzēts ūdens sildīšanai un regulējams ar termostatu, kuram ir plūstoša regulēšana līdz  $+75^{\circ}\text{C}$ .

Drošības vārsts (Att. 1, p. 5) funkcionē kā pretvārsts, kavējot ūdens nokļūšanu no ūdens sildītāja ūdensvada tīklā, ja tajā nokrita spiediens, kā arī ja tvertnē paaugstina spiediens, sasildinot ūdeni. Tas funkcionē arī kā drošības vārsts, samazinot virsspiedienu tvertnē, ja ūdens ir ļoti uzkarsts.

Ūdens sildītāja lietošanas laikā ūdens var sūkties caur drošības vārsta izplūdes cauruli, lai samazinātu virsspiedienu, kas nepieciešams ūdens sildītāja drošībai. Šī izplūdes caurule jābūt atklāta un uzstādīta uz lēju.

Nepieciešams nodrošināt ūdens noplūdi no drošības vārsta izplūdes cauruli (Att. 1, p. 14) kanalizācijā, paredzot atbilstošu drenāžas sistēmu, veicot EŪS montāžu (Att. 1, p. 6).

Nepieciešams regulāri (ne mazāk kā vienu reizi mēnesī) izplust ūdeni mazā daudzumā kanalizācijā, lai noverstu katlakmeņa nogulsnes un lai pārbaudītu vārsta darbību. Lai atvērtu vārstu, tas aprikots ar rokturi (Att. 1, p. 15). Jāievēro, ka ūdens sildītāja lietošanas laikā šis rokturis būtu stāvoklī, kas neļauj ūdens noplūdi no tvertnes.

#### 5. DROŠĪBAS NOTEIKUMI

Ražotājs garantē EŪS elektrodrošību tikai, ja EŪS tiek efektīvi iezemēts saskaņā ar spēkā esošiem elektroiekārtas montāža noteikumiem.

Sanitārtehniskajam pievadam un noslēgarmatūrai jāatbilst ūdensvada tīkla raksturlielumiem un tiem jābūt nepieciešami kvalitātes sertifikāti.

EŪS montāžas un lietošanas laikā aizlēgts:

- pieslēgt pie elektrotīkla, ja EŪS nav piepildīts ar ūdeni;
- noņemt aizsargvāku, ja EŪS ir pieslēgts pie elektrotīkla;
- lietot EŪS bez zemējuma vai izmantot ūdensvada cauruli kā zemējumu;
- pieslēgt EŪS pie ūdensapgādes tīkla ar spiedienu, kas lielāks par 0,75 MPa;
- pieslēgt EŪS pie ūdensapgādes tīkla bez drošības vārsta;
- nolaist ūdeni no EŪS, ja tas ir pieslēgts pie elektrotīkla;
- izmantot rezerves daļas, kuras nav ieteicis ražotājs;
- izmantot ūdeni no EŪS ēdiena pagatavošanai;
- izmantot ūdeni, kurā ir mehāniskie piemaisījumi (smilts, mazi akmeņi), kas var traucēt EŪS un drošības vārsta darbību.
- mainīt konstrukciju un EŪS uzstādīšanas kronšteinu izmērus.

Apkārtējās vides temperatūrai, kurā tiek ekspluatēts ūdens sildītājs, jābūt no 3°C līdz 40°C. Ūdens sasaldšana EŪS var sabojāt iekārtu un tas nav garantijas gadījums..



**Nedrīkst ļaut bērniem spēlēties ar EŪS. EŪS nav paredzēts izmantošanai personām ar fiziskās vai garīgas attīstības traucējumiem (tai skaitā arī bērniem), kā arī personām bez pieredzes un zināšanām, ja vien tos neuzrauga vau nesniedz norādījumus persona, kas atbildīga par EŪS drošību.**

EŪS lietošanas laikā nepieciešams regulāri apskatīt iekārtu, lai pārliecinātos, ka tā funkcionē pareizi (nav nekādu notecējumu, dūmu smaržas, elektriskās instalācijas dzirksteļošanas utm.). Ja ūdens sildītājs netiek izmantots ilgākā laikā vai ir bojājums ūdensapgādes vai elektrotīklā, nepieciešams atslēgt EŪS no elektrotīkla un aizvērt aukstā ūdens padeves vārstu.

## 6. UZSTĀDĪŠANA UN PIESLĒGŠANA

Visas montāžas, sanitārtehniskos un elektromontāžas darbus jāveic kvalificētai personai.

## 7. NOVIETOŠANA UN UZSTĀDĪŠANA

Visas montāžas, sanitārtehniskos un elektromontāžas darbus jāveic kvalificētai personai.

EŪS uzstādīšanu jāveic saskaņā ar markējumu, kas norādīta uz iekārtas korpusa un Tabulā Nr. 1.

Tiek rekomendēts uzstādīt EŪS maksimāli tuvu no tās vietas, kur tiek izmantots karsts ūdens, lai samazinātu siltuma zudumu caurulēs.

Izvēloties montāžas vietu, nepieciešams ievērot ar ūdens piepildītā EŪS kopsvaru. Ja sienai un grīdai ir maza celtspēja, tā ir atteicīgi jānostiprinā. Urbjot caurumus sienā, nepieciešams jāievēro sienās ievietoti kabeļi, kanāli un caurules.

EŪS tiek piekārts uz sienas ar kronšteinu uz āķīšiem, kas ir iestiprināti sienā. Āķu uzstādīšana sienā ir jāizslēdz jebkāda veida EŪS spontānu pārvietošānu uz kronšteinu.

Ražotājs neuzņemas atbildību par EŪS krišanu, ja tā ir saistīta ar nepareizo āķu piestiprināšanu un to izvēli.

Lai veiktu EŪS apkalpošanu, attālums starp aizsargvāku un tuvākām virsmām noņemamā atloka asa virzienā jābūt ne mazāk par 30 cm visiem modeļiem.



**UZMANĪBU!** Lai izvairītos no kaitējuma radišanas lietotājam un (vai) trešās personas īpašumam, ja rodas bojājumi karstā ūdens apgādes sistēmā, ir nepieciešams veikt EŪS uzstādīšanu tādās telpās, kurām ir grīdu hidroizolācija un kanalizācijas drenāža, un nekādā gadījumā nenovietot zem EŪS priekšmetus, kas ir pakļauti ūdens iedarbībai. Ja EŪS tiek novietots telpās, kas nav aizsargātas, ir nepieciešams zem EŪS uzstādīt aizsargājošu aizsargaplati (nav iekļauts piegādes komplektā) ar drenāžu kanalizācijā.

Gadījumā, ja EŪS novieto vietās, kas ir grūti sasniedzamas, lai veiktu iekārtas tehnisko apkalpošanu un garantijas apkalpošanu (antresolēs, nišās, starpgriestu vietās utt.), tad EŪS montāžu un demontāžu veic pats lietotājs, vai arī tas tiek veikts uz viņa rēķina.

Piezīme: aizsargaplatē nav iekļauts EŪS komplektā.

## 8. PIESLĒGŠANA PIE ŪDENSAPGĀDES TĪKLA

Ieteicams aukstā ūdens padeves caurulē izmantot ūdens priekštīrīšanas filtru, kura attīrīšanas pakāpe ir 200 mkm.

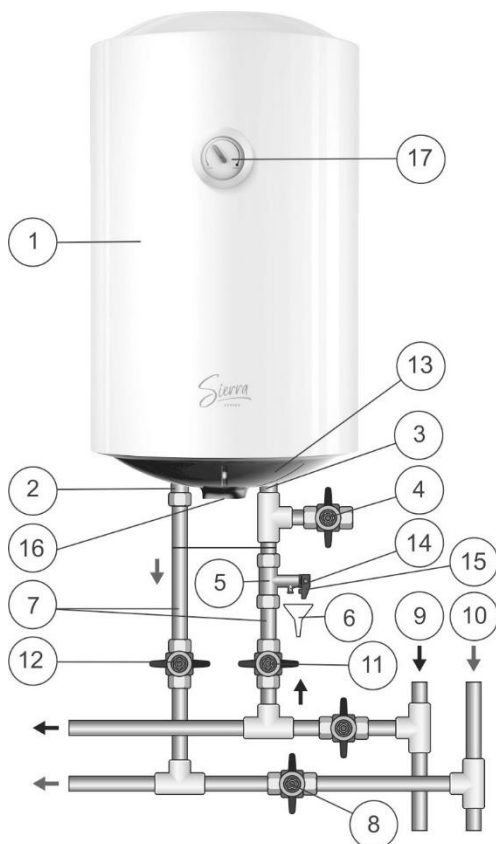
Uzstādīt drošības vārstu (Att. 1, p. 5) uz aukstā ūdens ieejas (Att. 1, p. 3), kas ir apzīmēts ar zilās krāsas gredzenu, uz 3,5 - 4 apgriezieniem, nodrošinot savienojuma hermētiskumu ar jebkuru ūdensizolējošu materiālu (linu, FUM lentu u.c.).

Ūdens sildītāja ekspluatācijas laikā ūdens var sūkties cauri no drošības vārsta drenāžas „knābja” (lai samazinātu virsspiedienu, kas nepieciešams ūdens sildītāja drošības nolūkam). Tiek rekomendēts pie drenāžas „knābja” pievienot gumijas vai silikona šļūteni ar atbilstošu diametru ūdens nolīšanai.

Pieslēgšana pie ūdensapgādes sistēmas tiek veikta saskaņā ar Att. 1, izmantojot vara, metālplastmasas vai plastmasas caurules, kā arī specialās lokanās caurules. Aizliegts izmantot lokano cauruli, kas jau bijusi lietošanā. Tiek rekomendēts izmantot filtru – dubļu uztvērēju, kas jāizvieto aukstā ūdens maģistrālē (nav iekļauts komplektācijā).



**Aizliegts izmantot lokano cauruli, kas jau bijusi lietošanā. Aizliegts ekspluatēt ūdens sildītāju bez drošības vārsta vai izmantojot citu ražotāju vārstu.**



### Attēls 1. EŪS pieslēgšana pie ūdensapgādes tīkla

**Attēls 1:** 1 – EŪS, 2 – karstā ūdens caurule, 3 – aukstā ūdens caurule, 4 – izlaišanas vārsts (komplektācijā nav iekļauts), 5 – drošības vārsts, 6 – drenāžas sistema kanalizācijā (komplektācijā nav iekļauta), 7 - pievade, 8 – aizvērt vārstu EŪS ekspluatācijas laikā, 9 – aukstā ūdens maģistrāle, 10 – karstā ūdens maģistrāle, 11 – aukstā ūdens slēgvārsts, 13 – aizsargvāks, 14 – drošības vārsta izplūdes caurule, 15 – drošības vārsta atslēdzēšanas rokturis, 16 - vadības poga, 17 - temperatūras indikators.

Pēc EŪS pieslēgšanas pārliecinieties, ka aukstā ūdens slēgtvārsts ir atvērts un karstā ūdens slēgvārsts (Att. 1, p. 8) aizvērts. Atvēriet aukstā ūdens ieplūdes ventili (Att. 1, p.

11), karstā ūdens izplūdes ventili (Att. 1, p. 12) un karstā ūdens ventili jaucējā, lai nodrošinātu gaismas noplūdes no EŪS. Kad EŪS būs pilnībā piepildīts, no jaucējkrāna ar nepārtrauktu strūklu sāks tecēt ūdens. Aizvīriet karstā ūdens jaucējkrānu.

Pieslēdzot EŪS vietās, kuras nav aprīkotas ar ūdens apgādes sistēmu, pastāv iespēja piegādāt ūdeni EŪS no papildus tvertnēm, kas ir novietota augstumā, kas nav mazāks par 5 metriem no augšējās EŪS virsmas, vai arī izmantojot sūkni.

Piezīme: lai vienkāršotu ūdens sildītāja apkalpošanu rekomendē uzstādīt izplūdes vārstu (Att. 1, p. 4) saskaņā ar 1. attēlu (modeļiem, kas nav aprīkoti ar izplūdes cauruli (nav iekļauta ūdens sildītāja iepakojuma saturā)).

Ja spiediens ūdensvada maģistrālē pārsniedz 0,75 MPa, tad aukstā ūdens ieplūdes vietā pirms drošības vārstu (ūdens virzienā) jāvieta redukcijas vārstu (nav iekļauts ūdens sildītāja iepakojuma saturā), lai samazinātu ūdens spiedienu līdz normālajam.

## 9. PIESLĒGŠANAS PIE ELEKTROTĪKLA

Pirms pieslēgt boileri pie elektrotīkla, pārlicinieties, ka tā tehniskie parametri atbilst tiem, kādiem paredzēts šis ūdens sildītājs.

**UZMANĪBU!** Pirms pieslēgt EŪS pie elektrotīkla, pārlicinieties, ka EŪS ir piepildīts ar ūdeni!

Ūdens sildītājam ir jābūt saņemtam, lai nodrošinātu tā drošu darbu. Ūdens sildītājs ir aprīkots ar elektrotīkla vadu ar eiropas kontaktdakšu. Elektrolīgzdai ir jābūt zemējuma kontakts, kam klāt ir pievilkts zemējuma vads, un ir jābūt uzstādītai vietā, kas ir aizsargāta no mitruma, vai arī tai ir jāatbilst prasībām ne mazāk kā IPX4.

## 10. EKSPLUATĀCIJA

EŪS tiek ieslēgts/izslēgts, pagriežot vadības pogu, kas atrodas uz ūdens sildītāja aizsargvāka (Att. 1, p. 16) no/uz zonu "OFF". Ūdens temperatūru iekšējā tvertnē noregulē, izmantojot vadības pogu (Att. 1, p. 16.) vērtību diapazonā no "OFF" (minimālās vērtības) līdz "HIGH" (maksimālās vērtības). Kontrolindikatora lampiņa parāda EŪS darbības režīmu - tā deg, kad ūdens tiek uzkarsēts, un nodziest, kad tiek sasniegta iestatītā temperatūra.

## 11. TEHNISKĀ APKALPOŠANA

Veicot TA tiek pārbaudīts magnija anoda stavoklis un tiek pārbaudīta noguļšņu esamība CES. Vienlaicīgi ar šo izdalītas nogulsnes, kas var uzkrāties EŪS apakšējā daļā.

Ja uz CES ir izveidojušās nogulsnes, tad tās var likvidēt ar speciālajiem līdzekļiem nogulšņu likvidēšanai vai arī mehāniskā veidā. Pirmo tehnisko apkopi rekomendē veikt speciālā dienesta darbiniekiem pēc viena gada kopš ekspluatācijas sākuma un pēc nogulsnēm noteikt nakāmas apkopes termiņu. Šī darbība maksimāli pagarina ūdens sildītāja ekspluatācijas laiku.



### **UZMANĪBU! Nogulsnes izveidošana uz CES var izraisīt tā bojājumu.**

Piezīme: Garantija neattiecas uz CES bojājumiem nogulsnes izveidošanas dēļ. Regulārā tehniskā apkope nav iekļauta ražotāja un pārdevēja garantijā.

Lai veiktu TA, nepieciešams veikt sekojošo:

- Atslēgt EŪS no elektrotīkla;
- ļaut atdzist karstajam ūdenim vai izliet to caur sajaucēju;
- aizslēgt aukstā ūdens padevi EŪS;
- atskrūvēt drošības vārstu, vai arī atvērt izplūdes vārstu;
- uz aukstās ūdens padeves caurules vai arī uz izplūdes vārsta uzvilkt gumijas šļūteni, tā otru galu novadot kanalizācijā;
- atvērt karstā ūdens vārstu jaucēkrānā un izliet ūdeni no EŪS caur šļūteni kanalizācijā;
- noņemt aizsargvāku, atvienot kabelus un izņemt balstatloku;
- ja nepieciešams, attīrīt CES no katlakmens nogulsnēm un nomazgāt tvertni;
- salikt visu atpakaļ, piepildīt EŪS ar ūdeni un ieslēgt elektrotīklā.

Modeļos, kas aprīkoti ar drenāžas cauruli, būs pietiekams aizvērt aukstā ūdens padevi EŪS, atskrūvēt plāksni no drenāžas caurules un atvērt karstā ūdens krānu. Pēc tam, kas ūdens izplūdis, var atvērt aukstā ūdens krānu uz neilgu laiku papildu tvertnes skalošanai.

Ja tehnisko apkopi veic specializētas organizācijas darbinieki, servisa talonā jāizdara atbilstošā atzīme.

## 12. IESPĒJAMIE BOJĀJUMI UN TO NOVERŠANAS METODES

Bojājums	Iespējams iemesls	Novēršanas metode
Pazeminājās karstā ūdens spiediens no EŪS. Aukstā ūdens spiediens ir nemainīgs.	Drošības vārsta ieejas atvēruma aizsērēšanās	Noņemt vārstu un nomazgāt to ar ūdeni.
Palielinājies ūdens uzsildīšanās laiks	CES ir pārklājusies ar nogulsņu slāni	Izņemt atloku un attīrīt CES.
	Pazeminājās elektrotīkla spriegums	Griezties elektrotīkla lietošanas servisā
Bieži nostrādā termoaizsardzības poga	Uzstādītā temperatūra ir tuva maksimumam	Pagrieziet termostata regulatoru uz temperatūras samazināšanas pusi (-)
	Termostata caurulīte ir pārklājusies ar nogulsnēm	Noņemt no EŪS noņemamo atloku un uzmanīgi attīrīt caurulīti no nogulsnēm
Ieslēgts elektrotīklā EŪS nesilda ūdeni	Vārsts (Att. 1, p. 8) nav aizslēgts vai bojāts	Aizslēgt vai nomainīt vārstu (1.att, p. 8)
Ieslēgts EŪS nesilda ūdeni. Kontroles lampiņa nedeg.	<ol style="list-style-type: none"> <li>1) Elektrotīkla nav spiediena;</li> <li>2) Elektrotīkla kabelis bojāts;</li> <li>3) Termoslēdzis aktivizēts vai nav ieslēgts</li> </ol>	<ol style="list-style-type: none"> <li>1) Pārbaudīt spriegumu elektrolīzdā;</li> <li>2) Sazināties ar specializēto atbalsta dienestu;</li> <li>3) Atslēgt EŪS no elektrotīkla, noņemt aizsargvāku, nospieš termoslēdzēja pogu, uzstādīt vāku un ieslēgt iekārtu</li> </ol>

Augstāk minētie bojājumi nav EŪS defekti un tiek novērsti ar pašu lietotāju vai arī ar specializētas organizācijas palīdzību uz klienta rēķina.

Ja nav iespējams tos novērst, sekot augstāk minētās rekomendācijas, vai būs klāti citi bojājumi, jāgriežas servisa centrā, ko norāda pārdēvējs.

### 13. ŪDENS SILDĪTĀJA TRANSPORTĒŠANA UN GLABĀŠANA

Elektrisko ūdens sildītāju transportēšana un glabāšana tiek veikta atbilstoši manipulācijas atzīmēm, norādītas uz iepakojuma:



– Aizsargāt no mitruma,



– Trausla krava, rīkoties saudzīgi;



– Rekomendēts glabāšanas temperatūras diapazons:  
no +10°C līdz +20°C



– Pareizs vertikālais stāvoklis.

### 14. UTILIZĒŠANA

Visas ūdens sildītāja sastāvdaļas ir izgatavotas no materiāliem, kurus nepieciešamības gadījumā var utilizēt saskaņā ar ekoloģiskās drošības noteikumiem tajā valstī, kurā ūdens sildītājs tiek lietots.

Utilizējot ūdens sildītāju, jāievēro vietējie ekoloģijas likumi un prasības.

Ražotājs patur sev tiesības bez brīdinājuma mainīt ūdens sildītāja konstrukciju un parametrus.

Ražotājs nosaka garantijas derīguma termiņu ūdens sildītājam uz 2 gadiem.

Garantijas derīguma termiņš skaitās no EŪS pirkšanas datuma. Ja nav norādīts pārdošanas datums un veikala zīmogs, tad garantijas derīguma termiņš tiek noteikts no EŪS ražošanas brīža. Ūdens sildītāja ražošanas datums tiek šifrēts unikālajā sērijas numurā, kas noveitots uz identifikācijas uzlīmes uz iekārtas koprusa. EUS sērijas numurs sastāv no 13 cipariem. Trešais un ceturtais cipars nozīme ražošanas gadu, piektais un sestais – ražošanas mēnesi, septītais un astotais – ūdens sildītāja ražošanas dienu. Visas pretenzijas tiek pieņemtas tādā gadījumā, ja ir garantijas talons ar pārdevēja atzīmēm un ja uz EŪS korpusa ir identifikācijas uzlīme.

Garantija attiecas tikai uz EŪS. Drošības vārsta vai kabeļa bojājums nav iemesls ūdens sildītāja nomaiņai. Atbildību par iekārtas uzstādīšanu un pieslēgšanu uzņemas pircējs, ja viņš pats pieslēdz iekārtu, vai montāžas organizācija, kas veica pieslēgšanu.

Ražotājs nav atbildīgs par kaitējumiem, kas radušies ūdens sildītāja uzstādīšanas, lietošanas un tehniskās apkalpošanas noteikumu neievērošanas dēļ, tai skaitā arī gadījumos, kad šie trūkumi radušies tīkla nepieļaujamiem parametriem dēļ (elektrotīkla un ūdensapgādes), kuros tiek lietots EŪS, un trešo personu iejaukšanās dēļ. Ražotāja garantija neattiecas uz pretenzijām par ūdens sildītāja ārējo izskatu.

**16. INFORMĀCIJA PAR RAŽOTĀJU****Ražotājs:****Guangdong Weber Electric Appliances Co., Ltd.**

No.D01, Jianye Road, Science and technology Industry Garden, Shunde High-tech Industrial Zone, Ronggui, Shunde Area, Foshan city, Guangdong, 528305, P.R. China.

Visi modeļi ir sertificēti un atbilst Eiropas likumu prasībām: 2014/35/EU, 2014/30/EU, 2011/65/EU (RoHS).

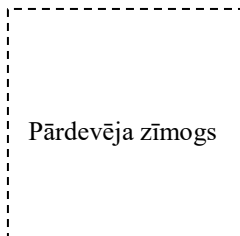
## PĀRDOŠANAS ATZĪME

Modelis \_\_\_\_\_ Sērijas Nr. \_\_\_\_\_

Pārdošanas datums « \_\_\_\_\_ » \_\_\_\_\_ 20 \_\_\_\_\_

Pārdevējs: \_\_\_\_\_

Pārdevēja  
pārstāvja paraksts \_\_\_\_\_



Prece ir nokomplektēta. Pretenzijas par izstrādājuma ārējo izskatu nav. Lietošanas pamācību ar nepieciešamajām atzīmēm esmu saņēmis/-usi. Ar lietošanas noteikumiem esmu iepazinies/-usies un tos pieņemu.

Pircēja paraksts: \_\_\_\_\_



## **PRIŠ PRADEDAMI NAUDOTIS ELEKTRINIŲ TURINIŲ VANDENS ŠILDYTVŲŲ ATIDŽIAI PERSKAITYKITE ŠIĄ NAUDOJIMO INSTRUKCIJĄ**

### **GERBIAMAS PIRKĖJAU!**

Sveikiname Jus įsigijus elektrinį vandens šildytuvą SIERRA!

SIERRA elektriniai vandens šildytuvai suprojektuoti ir pagaminti griežtai laikantis vidaus ir tarptautinius standartus, kurie garantuoja patikimumą ir naudojimo saugumą.

Ši naudojimo instrukcija taikoma modeliams Sierra serijos. Įsigyto modelio pavadinimas nurodytas skyriuje „Pardavimo žymė“ ir identifikavimo lentelėje ant vandens šildytuvo korpuso.

### **1. PASKIRTIS**

Elektrinis vandens šildytuvas (toliau tekste EVŠ), skirtas karšto vandens gavimui buitiniams ir pramoniniams poreikiams, kur yra šalto vandens magistralė su minimaliu slėgiu 0,05 MPa ir maksimaliu slėgiu 0,75 MPa.

EVŠ eksploatavimas skirtas uždaroje apšildomose patalpose ir ne gali dirbti nepertraukiamo darbo režimu.

### **2. TIEKIMO KOMPLEKTAS**

Elektrinis vandens šildytuvas	- 1 vnt.
GP tipo apsauginis vožtuvas	- 1 vnt.
Naudojimo instrukcija	- 1 vnt.
Montavimo komplektas	- 1 komplektas
Įpakavimas	- 1 vnt.

### **3. PAGRINDINĖS TECHNINĖS CHARAKTERISTIKOS**

EVŠ maitinimo įtampa turi būti ne didesne kaip 220-240 V. Maitinimo tinklo dažnis 50/60 Hz ± 1%. Vidinio bako tūris ir šildymo elemento galia yra nurodyti prietaiso korpuso identifikacinėje lentelėje. Vandens padavimo ir išleidimo vamzdžių sriegių skersmuo yra G1/2.

Gamintojas pasilieka teisę be išankstinio pranešimo keisti vandens šildytuvo komplektaciją, konstrukciją ir charakteristikas.

Modelis	Kodas	Vidutinis šildymo laikas, $\Delta T^{\circ}=45^{\circ}\text{C}$ esant 1.5 kW gal- iai	Talpinimas
Sierra 30 V	111 218	1 val. 03 min.	vertikalus
Sierra 50 V	111 219	1 val. 45 min.	vertikalus
Sierra 80 V	111 220	2 val. 48 min.	vertikalus
Sierra 100 V	111 221	3 val. 30 min.	vertikalus

#### 4. APRAŠYMAS IR EVŠ VEIKIMO PRINCIPAS

Išorinis EVŠ korpusas pagamintas iš plieno. Vidinis bakas su bio stiklo porceliano padengimu, kuris patikimai apsaugo vidinį paviršių nuo cheminės korozijos. Erdvė tarp išorinio korpuso ir vidinio bako yra užpildyta poliuretano putomis - moderni, ekologiška izoliacija, kuri turi geriausias šilumos taupymo charakteristikas.

Sierra modeliai turi dvi srieginius vamzdžius: šalto vandens padavimo (Pav. 1, p. 3) su mėlynu žiedu ir karšto vandens išleidimo vamzdis (Pav. 1, p. 2) - su raudonu žiedu. EVŠ apatinėje pusėje visuose modeliuose yra valdymo rankenėlė (Pav. 1, p. 16).

Ant nuimamų flanšų įmontuoti elektros vamzdiniai kaitintuvai (EVK) ir termostato ir temperatūros jungiklio jutikliai. EVK skirtas vandens pašildymui ir valdomas termostatu, kuris turi tolygų temperatūros reguliavimą iki  $75^{\circ}\text{C}$ .

Apsauginis vožtuvas (Pav. 1, p. 5) veikia kaip atbulinis vožtuvas, užkertant kelią vandens iš šildytuvo patekimą į vandentiekį krentant slėgiui vandentiekyje ir augant slėgiui bake kai vanduo įkaista, o taip pat, kaip apsauginis vožtuvas mažinant perteklinį slėgį bake kai vanduo stipriai įkaista. Vandens šildytuvo eksploatavimo metu vanduo gali ištekėti iš apsauginio vožtuvo išėjimo vamzdžio mažinant perteklinį slėgį, kas atsitinka dėl saugumo priežasčių. Tas išėjimo vamzdis turi išlikti atviras atmosferai ir turi būti įrengtas pastoviai žemyn.

Būtina užtikrinti vandens nuvedimą iš apsauginio vožtuvo išėjimo vamzdžio (Pav. 1, p. 14) į kanalizaciją, numatant EVŠ montavimo metu atitinkanti drenažą (Pav. 1, p. 6).

Reikia reguliariai (bent kartą per mėnesį) atlikti nedidelio vandens kiekio išpylimą per apsauginio vožtuvo išėjimo vamzdį į kanalizaciją, kad pašalinti kalkių nuosėdas ir patikrinti vožtuvo darbingumą. Vožtuvo atidarymui skirta rankenėlė (Pav. 1, p. 15). Reikėtų pasirūpinti, kad vandens šildytuvo darbo metu šita rankenėlė būtų padėtyje, uždarančioje vandens išpylimą iš bako.

#### 5. SAUGUMO PRIEMONĖS

EVŠ elektros saugumas garantuotas tik esant efektyviam įžeminimui, atliktam laikantis elektros instaliacijos taisyklės.

Santechnikos atvedimas ir uždarojoji armatūra turi atitikti vandentiekio tinklą ir turėti reikiamus kokybės sertifikatus.

EVŠ montavimo ir eksploatavimo metu draudžiama:

- įjungti į elektros tinklą neužpildžius EVŠ vandeniu;
- nuimti apsauginį dangtį, jeigu vandens šildytuvas įjungtas į elektros tinklą;
- naudoti vandens šildytuvą be įžeminimo arba naudoti įžeminimui vamzdžius;
- prijungti EVŠ prie vandentiekio tinklo su slėgio didesniu nei 0,75 MPa;
- prijunti EVŠ prie vandentiekio be apsauginio vožtuvo.
- išleisti vandenį iš EVŠ, jeigu vandens šildytuvas įjungtas į elektros tinklą.
- naudoti keitimui atsargines detales, kurių Gamintojas nerekomendavo.
- naudoti vandenį iš vandens šildytuvo maisto paruošimui;
- naudoti vandenį, kur yra mechaninės priemaišos (smėlį, akmenys), kas gali sukelti EVŠ ir apsauginio vožtuvo gedimą;
- pakeisti konstrukcijas ir montavimo kronšteinų matmenys.

Aplinkos temperatūra, kurioje naudojamas EVŠ, turėtų būti nuo 3°C iki 40°C. Negalima leisti užšalti vandeniui šildytuve, nes jis veda prie jo gedimo, ir nėra garantinis atvejis.



**Reikėtų atkreipti vaikų dėmesį į tai, kad jie nežaistų su EVŠ. EVŠ neskirtas naudoti neįglietiems asmenims (įskaitant vaikus), kuriems būdingi sumažėję fiziniai, jutimo arba protiniai gebėjimai, taip pat asmenims, kurie nemoka naudotis EVŠ, išskyrus atvejus, kai tai įvyksta, prižiūrint, ar, pagal EVŠ saugos instrukcijas.**

EVŠ naudojimo metu reguliariai reikia apžiūrėti prietaisą ar teisingai jis veikia (nėra pataikų, svilėsių kvapo, laidų kibirkščiavimo ir t.t.). Kai vandens šildytuvas ilgai nenaudojamas ar vandentiekio tinklo sutrikime, reikia atjungti EVŠ nuo elektros tinklo ir uždaryti šalto vandens padavimo ventilių.

## 6. MONTAVIMAS IR PRIJUNGIMAS

Visus montavimo, santechnikos ir elektros tinklo darbus privalo vykdyti kvalifikuotas personalas.

## 7. TALPINIMAS IR MONTAVIMAS

Visus montavimo, santechnikos ir elektros tinklo darbus privalo vykdyti kvalifikuotas personalas.

EVŠ montavimas vykdomas pagal ženklinimą ant korpuso ir Lentelę 1: EVŠ rekomenduojama įrengti kiek galima arčiau karšto vandens vartojimo vietų, kad šiluminiai nuostoliai vamzdžiuose būtų minimalūs.

Renkantis montavimo vietą reikėtų atsižvelgti į bendrą pripildyto vandens EVŠ svorį. Sienos ir grindys su silpna keliamąja galia turi būti atitinkamai sustiprinti. Gręžiant (darant) skylės sienoje, reikėtų atsižvelgti į joje esančius kabelius, kanalus ir vamzdžius.

EVŠ tvirtinamas už korpuso kronšteinus ant ankerių kablius, kurie tvirtinami sienoje. Kablių sienoje montavimas turėtų pašalinti spontanišką EVŠ kronšteinių judėjimą.

Dėl EVŠ kritimo, susijusio su neteisingu ankerių montavimu ir jų parinkimu, gamintojas neatsako.

Dėl EVŠ aptarnavimo atstumas nuo apsauginio dangčio iki artimiausio paviršiaus nuimamo flanšo ašies kryptimi, turėtų būti ne mažiau kaip 30 centimetrų – visiems modeliams;



**DĖMESIO! Siekiant išvengti žalos vartotojo ir (ar) trečiųjų šalių turtui dėl netinkamo karšto vandens sistemos veikimo, būtina, kad EVŠ montavimas vyktų patalpose su grindų hidroizoliacija ir drenažu į kanalizaciją, ir jokių būdu po EVŠ negali būti daiktai veikiami vandeniu. Jei EVŠ montuojamas neapsaugotose patalpose po EVŠ būtina įdiegti apsauginį podugnį su drenažu į kanalizaciją.**

Tuo atveju, jei EVŠ montuojamas sunkiai prieinamose vietose tam, kad atlikti techninės priežiūros ir garantinio aptarnavimo darbus (antresolė, nišos, tarplubinėse tarpuose ir t.t.), EVŠ montavimą ir demontavimą, atlieka pats vartotojas arba, jo sąskaita.

Pastaba: apsauginis podugnis neįeina į EVŠ tiekimo komplektą.

## 8. PRIJUNGIMAS PRIE VANDENTIEKIO

Būtina paduoti šaltą vandenį į EVŠ naudojant išankstinio vandens valymo filtrą su vandens valymo laipsniu ne mažiau 200 mkm

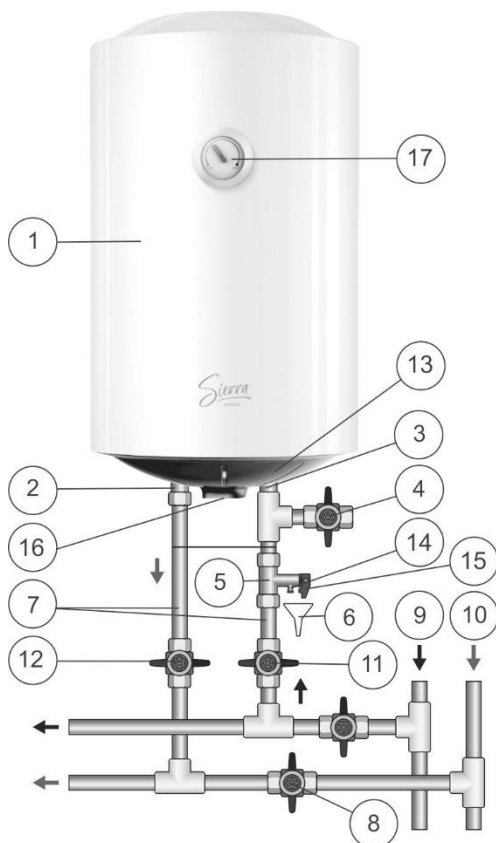
Nustatyti apsauginį vožtuvą (Pav. 1, p. 5) šalto vandens įėjime (Pav. 1, p. 3) - atvamzdis su mėlynu žiedu, pasukant 3,5 - 4 kartus, užtikrinant gerą sandarumą bet kokią sandarinimo medžiaga (linų, juosta FUM ir kt.).

Vandens šildytuvo eksploatavimo metu vanduo gali ištekėti iš apsauginio vožtuvo išėjimo vamzdžio (perteklinio slėgio mažinimas, kai vanduo kaista). Rekomenduojama prijungti prie nutekėjimo angos silikono arba guminių vamzdį tinkamo skersmens, kad pašalinti drėgmę.

Prijungimas prie vandentiekio sistemos vykdomas pagal Pav. 1 naudojant vario, metaloplastikinius vamzdžius arba plastikinius vamzdžius, o taip pat specialų lankstų santehnikos atvedimą. Nenaudokite lankstų atvedimą pakartotinai. Rekomenduojama paduoti į EVŠ vandenį per filtrą, sumontuotą šalto vandens magistralėje (neįeina į EVŠ tiekimo komplektą).



**Draudžiama naudoti lankstų atvedimą pakartotinai. Draudžiama naudotis EVŠ be apsauginio vožtuvo arba naudoti kitų gamintojų vožtuvus.**



**Paveikslas 1. EVŠ prijungimo prie vandentiekio schema**

**Paveikslas 1:** 1 – EVŠ, 2 – karšto vandens vamzdis, 3 – šalto vandens vamzdis, 4 – išleidimo ventilis (neįeina į tiekimo komplektą), 5 – apsauginis vožtuvas, 6 – drenažas į kanalizaciją (neįeina į tiekimo komplektą), 7 – atvedimas, 8 – uždaryti ventilių naudojant EVŠ, 9 – šalto vandens magistralė, 10 – karšto vandens magistralė, 11 – šalto vandens išjungimo ventilis, 12 – karšto vandens išjungimo ventilis, 13 – apsauginis dangtelis, 14 – apsauginio vožtuvo išėjimo vamzdis, 15 – apsauginio vožtuvo atidarymo rankenėlė, 16 - valdymo rankenėlė, 17 - temperatūros indikatorius.

Po EVŠ pajungimo, įsitikinkite, kad šalto vandens EVŠ atidarytas, o EVŠ karšto vandens uždaromasis ventilis (Pav. 1, p. 8) uždarytas. Atidarykite šalto vandens įleidimo vožtuvą į EVŠ (Pav. 1, p. 11), karšto vandens išeinamąjį vožtuvą iš EVŠ (Pav. 1, p. 12), karšto vandens išeinamąjį čiaupą ant maišytuvo, kad užtikrinti oro iš EVŠ ištekėjimą. Kai EVŠ bus pilnai užpildytas iš maišytuvo čiaupo tekės nuolatinis vandens srautas. Uždarykite karšto vandens čiaupą ant maišytuvo. Jungiant EVŠ

vietose, kur nėra vandentiekio, leidžiama tiekti vandenį į EVŠ iš pagalbinio bako, naudojant siurblynę, arba iš talpos, kuri pakabinta ne mažiau kaip 5 metrų aukštyje nuo viršutinio EVŠ taško.

Pastaba: norint palengvinti EVŠ aptarnavimą eksploataavimo metu, rekomenduojama įdiegti išleidimo ventilių (Pav. 1, p. 4) pagal pav. 1 (modeliams, kuriuose nėra išleidimo vamzdžio (neįeina į tiekimo komplektą)).

Jeigu vandentiekyje slėgis yra didesnis nei 0,75 MPa, tai prie šalto vandens įvedimo į EVŠ reikia įdiegti prieš apsauginį vožtuvą (vandens tekėjimo kryptimi) tinkamo slėgio mažinimo vožtuvą (neįeina į tiekimo komplektą), siekiant sumažinti vandens slėgį iki normos

## 9. PRIJUNGIMAS PRIE ELEKTROS TINKLO

Prieš įjungdami vandens šildytuvą prie elektros tinklo, įsitikinkite, kad jo nustatymai atitinka šildytuvo technines charakteristikas..

**DĖMESIO!** Įsitikinkite prieš jungdami į elektros tinklą, kad EVŠ pripildytas vandeniu!

Vandens šildytuvo įžeminimas privalomas, siekiant užtikrinti jo saugų eksploatavimą. Vandens šildytuvas turi savo tinklo maitinimo laidą su eurošakute ir AIP (opcionaliai). Prijungimui į tinklą pakanka įjungti maitinimo laido šakutę į elektros kontaktinį lizdą, kuris privalo būti su įžeminimo gnybtu. Kontaktinis lizdas privalo būti vietoje, apsaugotoje nuo vandens patekimo ant jos, ir tenkinti reikalavimus ne mažiau IPX4.

## 10. EKSPLOATAVIMAS

EVŠ įjungiamas/išjungiamas sukant indikatoriaus liniją ant vandens šildytuvo apsauginio dangtelio esančios valdymo rankenėlės (Pav. 1, p. 16) į zoną „OFF“. Vandens temperatūra vidiniame bakelyje reguliuojama valdymo rankenėle (Pav. 1, p. 16) verčių diapazone nuo „OFF“ (minimalios vertės) iki „HIGH“ (maksimalios vertės). Kontrolinė lemputė rodo EVŠ veikimo režimą – ji šviečia, kai vanduo pašildomas, ir užgesa, kai pasiekama nustatyta temperatūra.

## 11. TECHNINIS APTARNAVIMAS

Atliekant TA tikrinamas nuovirų EVŠ buvimas. Tuo pačiu metu, pašalinamos nuosėdos iš EVŠ apačios. Nuoviros galima pašalinti nuovirų valymų priemonėmis, arba mechaniniu būdu.

Rekomenduojama po metų nuo EVŠ pajungimo momento atlikti pirmą techninį aptarnavimą specializuotos organizacijos darbuotojais ir pagal nuovirų ir nuosėdų susidarymo intensyvumą nustatyti sekančių TA atlikimo terminus. Šis veiksmas maksimaliai prailgins EVŠ eksploatacijos terminą.



## **DĖMESIO! Nuovirų susidarymas ant vamzdinio elektrinio kaitintuvo gali tapti jo pažeidimo priežastimi.**

Pastaba: Vamzdinio elektrinio kaitintuvo pažeidimui dėl nuovirų susidarymo nėra taikomi garantiniai įsipareigojimai. Reguliarus techninis aptarnavimas neįeina į gamintojo ir pardavėjo garantinius įsipareigojimus.

TA atlikimui reikia atlikti sekančius žingsnius:

- Atjungti EVŠ elektros maitinimą.
- Duoti atvėsti karštam vandeniui arba išnaudoti jį per maišytuvą.
- Atjungti šalto vandens tiekimą į EVŠ.
- Atsukti apsauginį vožtuvą arba atidaryti išleidimo ventilių;
- Ant šalto vandens atvamzdžio arba išleidimo ventilių užmauti guminę žarną, nukreipus jos kitą galą į kanalizaciją.
- Įjungti karšto vandens čiaupą maišytuve ir nuleisti vandenį iš EVŠ per žarną į kanalizaciją.
- Nuimti apsauginį dangtį, atjungti laidus, atsukti ir ištraukti atraminį korpuso flanšą.
- Esant būtinybei išvalyti vamzdinį elektrinį kaitintuvą nuo nuovirų ir pašalinti nuosėdas iš bako.
- Atlikti surinkimą, užpildyti EVŠ vandeniu ir įjungti maitinimą.

Modeliuose su drenažo vamzdžiu pakanka uždaryti šalto vandens padavimą į EVŠ, atsukti drenažo vamzdzio dangtelį ir atidaryti karšto vandens čiaupą. Po to, kai vanduo išsipils, kai kuriam laikui galima atidaryti šalto vandens padavimą į EVŠ, norint papildomai išplauti baką.

Jeigu EVŠ techninį aptarnavimą vykdo specializuota organizacija apie tai serviso talone turi būti padaryta atitinkama žymė.

## 12. GALIMI GEDIMAI IR JŲ ŠALINIMO METODAI.

Gedimas	Galimos priežastys	Pašalinimo būdas
Sumažėjo karšto vandens slėgis iš EVŠ. Šalto vandens slėgis nepakitęs.	Apsauginio vožtuvo įleidžiamosios angos užsikimšimas	Nuimti vožtuvą ir nuplauti jį vandeniu
Padidėjęs šildymo laikas	EVŠ padengtas nuoviromis	Ištraukti nuimamą flanšą ir nuvalyti EVŠ
	Sumažėjo tinklo įtampa	Susisiekti su elektros tinklo eksploatavimo tarnyba.
Dažnas temperatūros jungiklio suveikimas	Nustatyta temperatūra yra arti ribos	Pasukti termostato rankenėlę mažinant temperatūrą (-)
	Termostato vamzdis padengtas nuoviromis	Ištraukti iš EVŠ nuimamą flanšą ir švelniai nuvalyti vamzdi nuo nuoviru.
EVŠ dirba, bet nešildo vandenį	Ventilis (Pav. 1, p. 8) neuždarytas arba sugedo	Uždaryti arba pakeisti ventilių (Pav. 1, p. 8)
Įjungtas į tinklą EVŠ ne šildo vandenį. Nėra kontroliniu galingumo parinkimo lempų apšvietimo	<ol style="list-style-type: none"> <li>1) Nėra maitinimo įtampos</li> <li>2) Pažeistas maitinimo laidas</li> <li>3) Įsijungė arba neįjungtas temperatūros jungiklis</li> </ol>	<ol style="list-style-type: none"> <li>1) Patikrinkite įtampos buvimą elektros lizde;</li> <li>2) Kreipkitės į specializuotą aptarnavimo centrą.</li> <li>3) Atjungti EVŠ nuo elektros tinklo, nuimti apsauginį dangtį, paspausti iki spragtelėjimo temperatūros jungiklio mygtuką, gražinti apsauginį dangtelį, įjungti maitinimą.</li> </ol>

Aukščiau išvardinti gėdimai nėra EVŠ defektai ir vartotojas juos pašalina pats arba specializuotos organizacijos pagalba savo sąskaita.

Jei neįmanoma ištaisyti problemą, naudojant minėtus nurodymus, arba, esant kitoms problemoms, kreipkitės į techninio aptarnavimo centrą.

### 13. ELEKTRINIŲ VANDENS ŠILDYTUVŲ TRANSPORTAVIMAS IR SAUGOJIMAS

Elektrinių vandens šildytuvų transportavimas ir saugojimas vykdomas pagal ženklus įpakavime:



– būtina apsaugoti krovinį nuo drėgmės



– Krovinio trapumas, elgtis atsargiai



Rekomenduojamas temperatūros diapazonas krovinio saugojimui:  
nuo +10°C iki +20°C



– teisinga krovinio vertikaloji padėtis;

### 14. UTILIZAVIMAS

Laikantis EVŠ įrengimo, veikimo ir priežiūros taisyklės, taip pat laikantis vandens kokybės standartus, gamintojas nustato šildytuvui 9 metų tarnavimo laikotarpį nuo EVŠ pirkimo datos.

Vandens šildytuvo sudėtyje nėra pavojingų ir nuodingų medžiagų, tad jeigu reikia šį gaminį galima saugiai perdirbti pagal bendras šildytuvo eksploatavimo šalies normas ir taisykles.

Utilizuojant EVŠ, reikia laikytis vietinių aplinkosaugos įstatymų ir rekomendacijų.

Gamintojas pasilieka teisę be išankstinio įspėjimo pakeisti EVŠ konstrukciją ir charakteristikas.

### 15. GAMINTOJO GARANTIJA

Gamintojas suteikia vandens šildytuvui 2 metų garantiją.

Garantijos terminas pradedamas skaičiuoti nuo EVŠ pardavimo datos. Jeigu pirkimo data nenurodyta arba ištaisyta parduotuvės štampe, garantijos terminas pradedamas skaičiuoti nuo EVŠ gamybos datos. Prekės pagaminimo data įrašyta unikaliame serijiniame numeryje, kuris yra identifikacinėje lentelėje ant EVŠ korpuso. Serijinis EVŠ numeris susideda iš trylikos skaitmenų. Trečias ir ketvirtas serijinio numerio skaitmuo - išleidimo metai, penktas ir šeštas - išleidimo mėnesis, septintas ir aštuntas – EVŠ išleidimo diena. Pretenzijos garantijos termino metu priimamos turint šį vadovą su pardavėjo įmonės žymėjimais, ir identifikavimo lentelę ant EVŠ korpuso.

Garantija taikoma tik EVŠ. Apsauginio vožtuvo arba maitinimo laido gedimas ne skaitomi EVŠ gedimais, ir nenumato EVŠ keitimo. Už montavimo ir prijungimo taisyklių laikymąsi atsako pirkėjas (jeigu jis savarankiškai atliko prijungimą), arba montavimo organizacija, kuri atliko prisijungimą.

Gamintojas neatsako už trūkumus, kurie kilo dėl šiame vadove išdėstytų EVŠ montavimo, prijungimo, eksploatavimo ir aptarnavimo taisyklių pažeidimo, t.t. kai trūkumai atsirado dėl netinkamų tinklų parametrų (elektrinių ir vandens tiekimo), kur eksploatuojamas EVŠ, taip pat dėl trečiosios šalies įsikišimo. Pretenzijoms dėl išorinio EVŠ vaizdo gamintojo garantija netaikoma.

## 16. INFORMACIJA APIE GAMINTOJĄ

### **Gamintojas:**

### **Guangdong Weber Electric Appliances Co., Ltd.**

No.D01, Jianye Road, Science and technology Industry Garden, Shunde High-tech Industrial Zone, Ronggui, Shunde Area, Foshan city, Guangdong, 528305, P.R. China.

Visi modeliai praėjo privalomą sertifikavimą ir atitinka Europos direktyvoms: 2014/35/EU, 2014/30/EU, 2011/65/EU (RoHS).



## PARDAVIMO ŽENKLAS

Modelis \_\_\_\_\_ Serijinis Nr. \_\_\_\_\_

Pardavimo data « \_\_\_\_\_ » \_\_\_\_\_ 20 \_\_\_\_\_

Pardavėjas: \_\_\_\_\_

Serviso aptarnavimo centras,  
nurodytas pardavėju \_\_\_\_\_Įmonės pardavėjo  
antspaudas

Gaminys supakuotas, dėl išvaizdos jokių pretenzijų neturiu. Naudotojo vadovą su reikalingomis žymėmis gavau, su eksploatacijos taisyklėmis ir garantijos sąlygomis susipažinau ir sutinku.

Pirkėjo parašas: \_\_\_\_\_



# ENNE VEEBOILERI ESMAKASUTUST LUGEGE KÄESOLEV KASUTUSJUHEND HOOLIKALT LÄBI

## LUGUPEETUD OSTJA!

Õnnitleme Teid SIERRA elektrisoojaveeboileri ostmise puhul!

SIERRA elektriveeboilerid on välja töötatud ja valmistatud rangelt rahvusvaheliste standarditega vastavuses, mis tagab seadme kindla ja ohutu kasutuse.

Käesolev juhend puudutab Sierra sarja mudeleid. Teie ostetud veeboileri mudeli nimetuse leiate seadme kerel olevalt identifikaatsiooniärgiselt jaost "Müügimärke".

## 1. KASUTUSOTSTARVE

Elektriveeboiler (edaspidi veeboiler) on mõeldud kodu- ja tööstusobjektide varustamiseks kuuma veega. Objektid peavad olema varustatud külmaveetrassiga rõhuga 0,05 MPa kuni 0,75 MPa.

Veeboilerit peab kasutama köetud siseruumides ning see ei ole mõeldud tööks pidevas läbivoolurežiimis.

## 2. TARNEKOMPLEKT

Elektriveeboiler	1 tk.
GP-tüüpi turvaventil	1 tk.
Kasutusjuhend	1 tk.
Paigalduskomplekt	1 komplekt
Pakend	1 tk.

## 3. PEAMISED TEHNILISED NÄITAJAD

Veeboileri elektri toitepinge peab olema 220-240 V. Elektrivõrgu sagedus 50/60Hz  $\pm 1$  %. Sisemise paagi maht ja küttekeha võimsus on näidatud seadme kerelt leitavalt identifikaatsiooniärgiselt. Külma ja kuuma vee muhvide keermete diameeter G 1/2".

Tootja jätab endale õiguse muuta veeboileri ülesehitust ja iseloomustust ja komplekti eelneva teatamiseta.

Mudel	Kood	Soojendamise keskmine aeg, $\Delta T^{\circ}=45^{\circ}\text{C}$ 1.5 kW võimsusega	Paigaldus
Sierra 30 V	111 218	1 h 03 min	vertikaalne
Sierra 50 V	111 219	1 h 45 min	vertikaalne
Sierra 80 V	111 220	2 h 48 min	vertikaalne
Sierra 100 V	111 221	3 h 30 min	vertikaalne

#### 4. VEEBOILERI KIRJELDUS JA TÖÖPÕHIMÕTE

Veeboileri kere on valmistatud terasest. Sisepaagil on spetsiaalne klaasportselanist bioklaasportselan kate, mis tagab sisepinna turvalise kaitse keemilise korrosiooni vastu. Siseanuma ja kere vaheline ala on täidetud vahtpolüuretaaniga - kaasaegse ja keskkonnasõbraliku soojusisolatsiooniga, mis hoiab suurepäraselt soojust. Sierra mudelitel on kaks keermemuhvi: külma vee sisendtoru jaoks (joonis 1, p. 3) sinise rõngaga ja sooja vee väljavoolutori jaoks (joonis 1, p. 2) punase rõngaga. Veeboileri alumisel küljel asetseb juhtnupp (joonis 1, p. 16).

Äravõetavatele flantsidele (äärikutele) on paigaldatud: toruküttekahad (elektritennid), termostaadi ja termolüliti näidikud. Elektritenn soojendab vett ja on juhitud termostaadiga, millel on sujuv temperatuuri regulatsioon kuni  $+75^{\circ}$  kraadini.

Turvaventiil (joonis 1, p. 5) täidab vastuklapi funktsiooni, mis takistab vee pääsemist veeboilerist veevõrku juhtudel, kui veesurve veevõrgus langeb ja tugeva kuumutamise tagajärjel vee surve boilerianumas tõuseb, samuti ohutusventiili funktsiooni, mis maandab liigset survet tugeva vee kuumutamise puhul. Maandamiseks liigset survet võib veeboileri tööajal turvaventiili väljavoolutorust imbuda väheselt määral vett, mis toimub veeboileri ohutuse tagamiseks. See väljavoolutoru peab jääma ümbritsevas keskkonnas vabaks ja peab olema paigaldatud pidevas püstasendis allasuunas.

Peab olema tagatud vee äravool turvaventiili äravoolutorust kanalisatsiooni (joonis 1, p. 14), seejuures peab veeboileri paigaldamisel olema ette nähtud ka vastav dreanaž (joonis 1, p. 6).

Eemaldamiseks katlakivi setteid ja ventiili korrasoleku kontrollimiseks on tarvilik korrapäraselt (vähemalt üks kord kuus) teostada väikese koguse vee väljavalamist läbi turvaventiili kanalisatsiooni. Turvaventiilil on lihtsa avamise jaoks olemas kang (joonis 1, p. 15). Jälgige, et veeboileri töötamisel oleks see kang alati vee äravoolu takistavas asendis.

#### 5. OHUTUSNÕUDED

Veeboileri elektriõhutus ning korrosioonivastane kaitse on tagatud vaid kehtivate paigaldusreeglitega vastavuses paigaldatud tõhusa maanduse olemasolul.

Santehnilised torud ja kinnistusarmatuur peavad vastama veevõrgu parameetritele ning omama vastavaid kvaliteedisertifikaate.

Veeboileri paigaldamisel ja kasutamisel ei ole lubatud:

- ühendada seadet vooluvõrguga, kui veeboiler ei ole täidetud veega;
- kaitseklapi eemaldamine, kui toide on sisse lülitatud;
- veeboileri kasutamine ilma maanduseta või veetorude kasutamine maandusena;
- veeboileri ühendamine veevõrguga, mille surve on suurem kui 0,75 MPa;
- ühendada veeboilerit veevõrguga ilma turvaventiiliga;
- tühjendada veeboilerit veest läbi vooliku sisselülitatud toitega;
- kasutada tootja poolt mitte soovitatud varuosasid;
- kasutada veeboileris olnud vett toidu valmistamiseks;
- Kasutada veeboileri jaoks vett, mis sisaldab mehaanilisi lisandeid (liiv, väikesed kivid), mis võivad esile kutsuda veeboileri või turvaventiili rikke;
- muuta veeboileri kandurite paigaldusmõõte või konstruktsiooni;

Veeboileri eksploateerimistemperatuur väliskeskkonnas peab jääma 3°C kuni 40°C piiridesse. Vee külmumine veeboileris miinustemperatuuridel viib seadme rikkeni, mis ei ole kaetud garantiiga.



**Pöörake laste tähelepanu sellele, et nad ei mängiks veeboileriga. Veeboiler ei ole ettenähtud kasutamiseks isikute poolt (kaasa arvatud lapsed), kellel on piiratud füüsilised, kompimis- või psüühilised võimed, samuti isikud, kes ei oska kasutada veeboilerit, välja arvatud juhul, kui see toimub veeboileri ohutuse eest vastutavate isikute järelevalve all või nende juhiste kohaselt.**

Veeboileri kasutamisel tuleb korrapäraselt seadet üle vaadata, kontrollimaks selle töökorda (plekkide puudumine, kärsahais, sädemed elektrijuhtmestikust jne). Juhul, kui veeboileri on pikka aega kasutamata, vee- või voolukatkestuste ajal tuleb veeboiler vooluvõrgust välja lülitada ja sulgeda külma vee sisendventiil.

## 6. PAIGALDUS JA ÜHENDAMINE

Kõik paigaldus-, sanitaartechnilised ja elektripaigaldustööd peab teostama vastava ala spetsialist.

## 7. ASETUS JA PAIGALDUS

Kõik paigaldus-, sanitaartechnilised ja elektripaigaldustööd peab teostama vastava ala spetsialist.

Veeboileri paigaldus teostatakse vastavuses kerel oleva märgiskleebise ning Tabeliga 1:

Vähendamaks soojuskadusid torude kaudu, paigaldage veeboiler võimalikult kasutuskoha lähedale.

Paigalduskoha valikul peab lähtuma veega täidetud boileri kogukaalust. Väikese kandevõimega sein või põrand peavad olema enne tugevdatud. Aukude seina puurimisel peab arvestama sellesse peidetud kaablite, kanalite ja torude asendit.

Seinale paigaldamiseks kasutatakse veeboileri kandureid, mis riputatakse seina sisse kruvitud ankurkonksudele. Konksude kinnitamine seina peab olema teostatud selliselt, et välistada veeboileri kandurite iseeneslikku libisemist.

Tootja ei vastuta ebaõige ankurpoltide paigaldusega ja valikuga seotud veeboileri kukkumise eest.

Veeboileri hooldamise hõlbustamiseks jätke juurdepääsuks elektrilistele osadele äravõetavast flantsist lähima pinnani vähemalt 30 sm vaba ruumi - kõikide mudelite puhul;



**TÄHELEPANU!** Välistamiseks kasutaja ja (või) kolmandate isikute vara kahjustamist peab veeboileri paigaldus toimuma ruumis, mille põrand on varustatud hüdroisolatsiooniga ja drenaažiga kanalisatsiooniga ning mitte mingil juhul mitte paigaldada veeboileri alla esemeid, mis võivad saada veekahjustust. Veeboileri paigaldamisel hüdroisolatsioonita ruumidesse peab veeboileri alla paigaldama kaitsealuse, millel on drenaaž kanalisatsioonitorudesse.

Juhul, kui veeboiler paigaldatakse kohta, milles on raskendatud tehniline ja garantiihooldus (ülakapid, nišid, lagedevahelised alad jne), teostab veeboileri paigalduse ja mahavõtu kasutaja ise või katab ise töökulud.

Märkus: Kaitsealus ei sisaldu veeboileri tarnekomplektis.

## 8. ÜHENDAMINE VEEVÕRKU

Veeboilerisse juhitav vesi peab olema eelnevalt puhastatud veefiltriga, mis puhastab vähemalt 200 mkm osakestest.

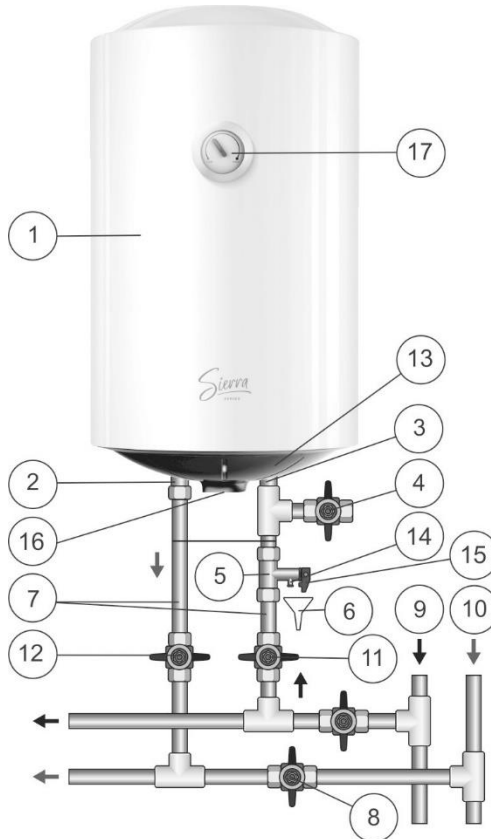
Paigaldage turvaventil (joonis 1, p. 5) külma vee sisendi juures (joonis 1, p. 3) - sinise rõngaga sisendtoru - keerates seda 3,5-4 täispööret sisse eelnevalt tihendanud vastava materjaliga (lina, tihendlinde või muuga).

Veeboileri kasutamisel võivad turvaklapi drenaažiavasse ilmuda tilgad (vee soojendamisel liigse rõhu vähendamine). On soovitatav paigaldada drenaažiavasesse vastava diameetriga kummi- või silikoontoru, et juhtida niiskus eemale.

Ühendamine veevõrku teostatakse vastavalt joonisele 1 vasest, metalliplastikust, plastmassist või spetsiaalsete paindlike veetorude abil. Ei ole lubatud kasutada varem kasutusel olnud paindlikke torusid. On soovitatav juhtida veeboilerisse vett läbi külmaveetrassil paigaldatud mudafiltri (ei sisaldu tarnekomplekti).



Ei ole lubatud kasutada varem kasutusel olnud paindlikke torusid. Veeboileri kasutamine ilma turvaventilita või teiste tootjate turvaventiliga on keelatud.



**Joonis 1. Veeboileri veevõrguga ühendamise skeem**

**Joonis 1:** 1 - veeboiler, 2 - kuumaveemuuhv, 3 - külmaveemuuhv, 4 - äravooluventiil (ei sisaldu komplektis), 5 - turvaventil, 6 - drenaaž kanalisatsiooni (ei sisaldu komplektis), 7 - juurdevoolutorud, 8 - sulgeda ventiil veeboileri kasutamisel, 9 - külmaveetrass, 10 - kuumaveetrass, 11 - külma vee sulgemisventiil, 12 - kuuma vee sulgemisventiil, 13 - kaitsekaas, 14 - kaitseklapi väljalasketoru, 15 - kaitseklappi avamise kang, 16 - juhtnupp, 17 - temperatuuri indikaator.

Pärast veeboileri ühendamist veenduge, et veeboileri külma vee sulgurventiil on avatud ja veeboileri kuuma vee sulgurventiil (joonis 1, p. 8) on kinni. Veeboilerist õhu väljalaskmiseks keerake lahti veeboileri külma vee sisendkraan (joonis 1, p. 11), kuuma vee väljavoolukraan (joonis 1, p. 12) ja kuumaveekraan segistil. Veeboileri täielikul

täitumisel veega hakkab segisti kuumaveekraanist vesi jooksuma pideva joana. Keerake segistil kuumaveekraan kinni. Juhul, kui veeboiler paigaldatakse kohta, kus ei ole veevõrku, on võimalik juhtida vesi veeboilerisse abianumast, mis asub veeboileri kõrgeimast punktist vähemalt 5 meetrit kõrgemal, või pumbajaama abil.

Märkus: Veeboileri kasutamisel hoolduse lihtsustamiseks on soovitatud paigaldada äravooluventiil (joonis 1, p. 4) vastavalt joonisega 1 (mudelite jaoks, mis pole varustatud äravoolumuhviga (ei sisaldu veeboileri tarnekomplektis)).

(kui surve veevõrgus ületab 0,75 MPa, alandamaks veesurvet normini, paigaldatakse külmavee sisendile vastav veesurvet normini alandav reductorklapp (ei sisaldu tarnekomplektis)).

## 9. VOOLUVÕRKU ÜHENDAMINE

Enne seadme vooluvõrku ühendamist veenduge, et selle märgiskleebisel nimetatud pinge ja sagedus ühtivad kasutatava vooluvõrgu vastavate näitajatega.

**TÄHELEPANU!** Enne toite sisselülitamist veenduge, et veeboiler on täidetud veega!

Veeboileri ohutuks kasutuseks peab see olema maandatud. Veeboiler on varustatud alalise voolujuhtme ning europistikuga. Pistikupesal peab olema maanduskontakt koos sellega ühendatud maandusjuhtmega. Pistikupesa peab asetsema niiskuse eest kaitstud kohas või vastama vähemalt IPX4 nõuetele.

## 10. KASUTUS

Edaspidi veeboiler lülitatakse sisse/välja, keerates veesoojendi kaitsekaanel asuva juhtnupu näidiku joone (joonis 1, p. 16) tsooni OFF. Sisepaagi vee temperatuuri reguleeritakse juhtnupu (joonis 1, p. 16) abil väärtuste vahemikus "OFF" (minimaalsed väärtused) kuni "HIGH" (maksimaalsed väärtused). Märgutuli näitab edaspidi veeboiler töörežiimi – see põleb vee soojendamisel ja kustub, kui seatud temperatuur on saavutatud.

## 11. TEHNILINE HOOLDUS

Tehnilise hoolduse läbiviimisel kontrollitakse katlakivi olemasolu küttekehal. Samaaegselt eemaldatakse sete, mis võib olla kogunenud anuma põhja. Kui küttekehale on ladestunud katlakivi, seda tohib eemaldada nii katlakivi eemaldusvahendiga kui ka mehaaniliselt. On soovitatav viia läbi esimene tehniline hooldus ühe aasta möödumisel paigaldamisest ning teha seda spetsialistidel ning lähtuvalt katlakivi ja sette ladestumise intensiivsusest ning magneesiumanoodi kulumisest saab kindlaks määrata järgnevate tehniliste hoolduste tähtajad. Üldmainitud soovitus jälgimine pikendab seadme kasutusaega maksimaalselt.



## **TÄHELEPANU! Katlakivi ladestumine küttekehal võib viia selle rikkeni.**

Märkus: Küttekeha rike katlakivi ladestumise tõttu ei kuulu garantiikohustuste hulka. Korrapärane tehniline hooldus ei kuulu valmistaja ja müüja garantiikohustuste hulka.

Tehnilise hoolduse läbiviimiseks tuleb toimida järgnevalt:

- lülitada välja veeboileri toide;
- lasta kuumal veel jahtuda või kasutada see ära läbi segisti;
- sulgeda veevõrgu toitekraan;
- keerata lahti turvaventiiil või avada äravooluventiiil;
- tõmmata külma vee sisendtorule või väljavõiguventiilile kummist voolik ning suunata selle teine ots kanalisatsiooni;
- avada kuum vee kraan segistil ning lasta veel veeboileris voolata läbi vooliku kanalisatsiooni;
- eemaldada turvakaas, lahutada juhtmed, kruvida lahti ning eemaldada kerelt äravõetav flants;
- vajadusel puhastada elektritenn katlakivist ning eemaldada sete;
- teostada seadme kokkupanek, täita veeboiler veega ning lülitada see vooluvõrku;

Drenaažimuhviga mudelites piisab sulgeda külma vee sissevool, keerata maha metalltopp drenaažimuhvil ja avada kuumaveekraan. Pärast seda, kui vesi on valgunud välja, võib veeboileri paagi lisaloputamiseks avada mõneks ajaks külma vee sissevool.

Tehnilise hoolduse läbiviimisel spetsialistide poolt peab garantiitalongi olema tehtud vastav mäрге.

## 12. VÕIMALIKUD RIKKED JA NENDE KÕRVALDAMINE

Rike	Võimalik põhjus	Kõrvaldamine
Kuuma vee surve veeboilerist on vähenenud Külma vee surve on endine	Turvaventiili sisselaskeava on umbes	Eemaldada ventiil ning loputada see veega
Vee soojendamise aeg on suurenenud	Küttekehale on ladestunud katlakivi	Võtta küttekeha välja ja puhastada see katlakivist
	Vooluvõrgu pingeline on langenud	Pöörduda vooluvõrgu kasutusteenistusse
Termolüliti tihedane rakendumine	Määratud veesoojus on väga lähedal maksimumile	Pöörata termostaadi regulaator temperatuuri vähendamise suunas (-)
	Termostaadi toru on kattunud katlakiviga	Eemaldada veeboilerist äravõetav flants ning ettevaatlikult puhastada toru katlakivist
Veeboiler töötab, kuid ei soojenda vett	Ventiil (joonis 1, p. 8) ei ole suletud või on katki	Sulgeda või vahetada ventiil (joonis 1, p. 8) välja
Elektrivooluga tähendatud veeboiler ei soojenda vett. Juhtimispaneelil puudub indikatsioon	1) Vooluvõrgus puudub pingeline; 2) Voolujuhe on vigastatud; 3) Rakendus termolüliti ja see ei ole sisse lülitatud.	1) Kontrollige pingeline olemasolu elektripesas; 2) Pöörduge spetsialiseeritud teeninduskeskusesse. 3) Lahutada veeboiler vooluvõrgust, eemaldada kaitsekaas, vajutada kuni klõpsuni termolüliti nuppu, paigaldada tagasi kaas ja lülitada toide sisse

Ülalnimetatud rikked ei ole veeboileri defektid ning on eemaldatavad kasutaja poolt iseseisvalt või tema kulul.

Juhul, kui riket ei ole võimalik parandada lähtuvalt ülalnimetatud soovitude kohaselt või kui ilmnevad teised rikked, peab pöörduma teenindusse.

### 13. ELEKTRILISTE VEEBOILERITE TRANSPORT JA SÄILITUS

Elektriliste veeboileri transport ja säilitus peab olema teostatud vastavalt pakendil olevate käitlusmärgistega:



– pakk peab olema kaitstud niiskuse eest



– seade on kergesti purunev ja nõuab ettevaatlikku käitlemist



– soovitatav kauba säilitamise temperatuurivahemik on  
+10 kuni +20 °C



– paki õige vertikaalne asend;

### 14. UTILISEERIMINE

Paigaldus-, kasutus- ja tehnilise hoolduse reeglite järgimisel ning kasutatava vee vastavusel kehtiva standardiga tootja määratud seadme kasutusae on 9 aastat alates veeboileri ostukuupäevast.

Kõik veeboileri koostisosad on toodetud materjalidest, mis vajadusel võimaldavad selle keskkonnakahjutu kasutuselt kõrvaldamise, mis teostatakse vastavalt selle riigi normide ja reeglitega, kus toimub veeboileri kasutamine.

Veeboileri utiliseerimisel peab järgima kohalisse keskkonnakaitse seadusi ja soovitusi.

Tootja jätab endale õiguse viia veeboileri ülesehitusse ja iseloomustusse muudatusi eelneva teatamiseta.

### 15. VALMISTAJA GARANTII

Valmistaja annab soojaveeboilerile garantii 2 aastat.

Garantiaega loetakse kuumaveeboileri müügipäevast alates. Müügipäeva puudumisel või muutmisel ning kaupluse templi puudumisel garantiaega loetakse kuumaveeboileri väljalaskekuupäevast. Veeboileri väljalaskekuupäev on kodeeritud ainulaadsesse seerianumbrisse, mis on toodud veeboileri kerel asuval identifikaatsiooni märgisel. Seerianumber koosneb kolmeteistkümnest numbrist. Seerianumbri kolmas ja neljas number märgistavad boileri väljalaske aastat, viies ja kuues - väljalaskekuud, seitsmes ja kaheksas - väljalaskepäeva. Pretensioonid võetakse garantiiaja jooksul vastu müügi ettevõtte märgetele garantiitalongi ning veeboileri kerel oleva märgiskleebise olemasolul.

Garantii katab ainult soojaveeboilerit. Kaitseklapi või toitejuhtme rikked ei too endaga kaasa veeboileri väljavahetust. Vastutus paigaldamis- ja ühendamisreeglitest

kinnipidamise eest lasub ostjal (iseseisva ühendamise puhul) või paigalduse teostanud teenindustevõttel.

Valmistaja ei vastuta vigade eest, mis tekivad kasutajapoolse käesolevas juhendis loetletud veeboileri paigaldamise, ühendamise, kasutamise ja hooldamise reeglite rikkumise tulemusena, sealhulgas juhtudel, kui sellised vead tekkisid seadme kasutamisel vee- ja/või elektrivõrgu mittelubatud parameetrite tõttu või kolmandate isikute sekkumise tagajärjel. Garantii ei laiene pretensioonidele veeboileri välimuse kohta.

## 16. TOOTJA INFO

### Tootja:

#### **Guangdong Weber Electric Appliances Co., Ltd.**

No.D01, Jianye Road, Science and technology Industry Garden, Shunde High-tech Industrial Zone, Ronggui, Shunde Area, Foshan city, Guangdong, 528305, P.R. China.

Kõik mudelid on läbinud kohustusliku sertifitseerimise ja vastavad Euroopa direktiivide: 2014/35/EU, 2014/30/EU, 2011/65/EU (RoHS).



# MÜÜGIMÄRGE

Mudel \_\_\_\_\_ Seerianumber \_\_\_\_\_

Müügi kuupäev « \_\_\_\_\_ » \_\_\_\_\_ 20 \_\_\_\_\_

Müügi kuupäev \_\_\_\_\_

Müügifirma esindaja  
allkiri \_\_\_\_\_



Seade on komplekteeritud, välisilmele pretensioone ei ole. Sain kätte kasutusjuhendi, millesse on tehtud vajalikud märked, kasutustingimused ja garantiitingimused on mulle teada, nõustun nendega.

Ostja allkiri \_\_\_\_\_





## WARRANTY CERTIFICATE 1 /

## TAGLIANDO DI GARANZIA 1 / TALÓN DE GARANTÍA 1 / GARANTIEZETTEL 1 /

## GARANTIEKAART 1 / BON DE GARANTIE 1 / ГАРАНТИЙНЫЙ ТАЛОН 1 /

## GARANTIJAS TALONS 1 / GARANTINIS TALONAS 1 / ГАРАНТИТАЛОН 1

<b>Model / Modello / Modelo / Ausführung / Model / Modèle / Модель / Modelis / Modelis / Mudel</b>		Dealer's seal / Timbro del venditore / Sello de la empresa-vendedor / Siegel des verkäufers / Stempel van firma verkoper / Sceau de la firme productrice / Печать фирмы продавца / Pārdevēja zīmogs / Įmonės pardavėjos antspaudas / Mūļafirma pitser
<b>Serial No. / Numero di matricola / Número de serie / Serie / Serie nr / Numéro de série / Серийный номер / Sērijas numurs / Serijinis Nr. / Seerianumber</b>		
<b>Date of sale / Data di vendita / Fecha de venta / Verkaufsdatum / Verkoopdatum / Date de vente / Дата продажи / Pārdošanas datums / Pardavimo data / Mūļi kuopāev</b>		
<b>Dealer / Venditore / Empresa-vendedor / Verkäufer / Firma verkoper / Firme productrice / Фирма продавец / Pārdevējs / Pardavėjas / Mūļifirma</b>		

To be filled by the dealer / Riservato al venditore / Timbro del venditore / Wird von dem verkäufer ausgefüllt / Word ingevuld door firma-verkoper / À remplir uniquement par la firme productrice / Заполняется фирмой продавцом / Aizpilda pārdevējs / Pildo įmonė pardavėja / Tāidab mūļafirma



## WARRANTY CERTIFICATE 2 /

## TAGLIANDO DI GARANZIA 2 / TALÓN DE GARANTÍA 2 / GARANTIEZETTEL 2 /

## GARANTIEKAART 2 / BON DE GARANTIE 2 / ГАРАНТИЙНЫЙ ТАЛОН 2 /

## GARANTIJAS TALONS 2 / GARANTINIS TALONAS 2 / ГАРАНТИТАЛОН 2

<b>Model / Modello / Modelo / Ausführung / Model / Modèle / Модель / Modelis / Modelis / Mudel</b>		Dealer's seal / Timbro del venditore / Sello de la empresa-vendedor / Siegel des verkäufers / Stempel van firma verkoper / Sceau de la firme productrice / Печать фирмы продавца / Pārdevēja zīmogs / Įmonės pardavėjos antspaudas / Mūļafirma pitser
<b>Serial No. / Numero di matricola / Número de serie / Serie / Serie nr / Numéro de série / Серийный номер / Sērijas numurs / Serijinis Nr. / Seerianumber</b>		
<b>Date of sale / Data di vendita / Fecha de venta / Verkaufsdatum / Verkoopdatum / Date de vente / Дата продажи / Pārdošanas datums / Pardavimo data / Mūļi kuopāev</b>		
<b>Dealer / Venditore / Empresa-vendedor / Verkäufer / Firma verkoper / Firme productrice / Фирма продавец / Pārdevējs / Pardavėjas / Mūļifirma</b>		

To be filled by the dealer / Riservato al venditore / Timbro del venditore / Wird von dem verkäufer ausgefüllt / Word ingevuld door firma-verkoper / À remplir uniquement par la firme productrice / Заполняется фирмой продавцом / Aizpilda pārdevējs / Pildo įmonė pardavėja / Tāidab mūļafirma

<b>Date of acceptance / Data di ricezione / Fecha de la recepción / Aufnahme datum / Datum van ontvangst / Date d'acceptance / Дата приема / Saņemšanas datums / Priėmimo data / Vastuvėtu kuupėev</b>		Stamp of service center / Timbro del centro di assistenza / Sello del centro de asistencia tėcnica / Siegel des servicebetriebs / Stempel van servicecentrum / Sceau du service client / Печать сервисного центра / Servisa centra žimogs / Aptarnavimo centro antspaudas / Teeninduskeskuse pitser
<b>Issue date / Data do consegna / Fecha de la expedici3n / Ausgabedatum / Datum van uitgifte / Date de dėlivrance / Дата выдачи / Izsniegšanas datums / Īdavimo data / Vėljaandmise kuupėev</b>		
<b>Defect / Difetto / Defecto / Defekt / Gebrek / Dėfaut / Дефект / Defekts / Defektas / Rike</b>		
<b>Executed work / Lavori eseguiti / Trabajo cumplido / Durchgefėhrte Arbeiten / Gedane werkzaamheden / Travail produit / Выполненная работа / Izpildģtais darbs / Atlikti darbai / Tehtud t33</b>		
<b>Expert (full name) / Tecnico / Contramaestre (nombres y apellidos) / Fachspezialist (name) / Vakkundige (naam) / Rėparateur (nom, prėnom) / Специалист (имя) / Meistars / Meistras / Spetsialist (nimi)</b>		

Filled in by service center / Riservato al centro di assistenza / Se complementa por el centro de asistencia tėcnica / Wird von dem Servicebetrieb ausgefėllt / Wordt ingevuld door het servicecentrum / Ā remplir uniquement par le service client / Заполняется сервисным центром / Aizpilda servisa centrs / Pildo aptarnavimo centras / Tėidab teeninduskeskus

<b>Date of acceptance / Data di ricezione / Fecha de la recepci3n / Aufnahme datum / Datum van ontvangst / Date d'acceptance / Дата приема / Saņemšanas datums / Priėmimo data / Vastuvėtu kuupėev</b>		Stamp of service center / Timbro del centro di assistenza / Sello del centro de asistencia tėcnica / Siegel des servicebetriebs / Stempel van servicecentrum / Sceau du service client / Печать сервисного центра / Servisa centra žimogs / Aptarnavimo centro antspaudas / Teeninduskeskuse pitser
<b>Issue date / Data do consegna / Fecha de la expedici3n / Ausgabedatum / Datum van uitgifte / Date de dėlivrance / Дата выдачи / Izsniegšanas datums / Īdavimo data / Vėljaandmise kuupėev</b>		
<b>Defect / Difetto / Defecto / Defekt / Gebrek / Dėfaut / Дефект / Defekts / Defektas / Rike</b>		
<b>Executed work / Lavori eseguiti / Trabajo cumplido / Durchgefėhrte Arbeiten / Gedane werkzaamheden / Travail produit / Выполненная работа / Izpildģtais darbs / Atlikti darbai / Tehtud t33</b>		
<b>Expert (full name) / Tecnico / Contramaestre (nombres y apellidos) / Fachspezialist (name) / Vakkundige (naam) / Rėparateur (nom, prėnom) / Специалист (имя) / Meistars / Meistras / Spetsialist (nimi)</b>		

Filled in by service center / Riservato al centro di assistenza / Se complementa por el centro de asistencia tėcnica / Wird von dem Servicebetrieb ausgefėllt / Wordt ingevuld door het servicecentrum / Ā remplir uniquement par le service client / Заполняется сервисным центром / Aizpilda servisa centrs / Pildo aptarnavimo centras / Tėidab teeninduskeskus



WARRANTY CERTIFICATE 3 /

TAGLIANDO DI GARANZIA 3 / TALÓN DE GARANTÍA 3 / GARANTIEZETTEL 3 /

GARANTIEKAART 3 / BON DE GARANTIE 3 / ГАРАНТИЙНЫЙ ТАЛОН 3 /

GARANTIJAS TALONS 3 / GARANTINIS TALONAS 3 / ГАРАНТИТАЛОН 3

<b>Model / Modello / Modelo / Ausführung / Model / Modèle / Модель / Modelis / Modelis / Mudel</b>		Dealer's seal / Timbro del venditore / Sello de la empresa-vendedor / Siegel des verkäufers / Stempel van firma verkoper / Sceau de la firme productrice / Печать фирмы продавца / Pārdevēja zīmogs / Įmonės pardavėjos antspaudas / Mūļafirma pitser
<b>Serial No. / Numero di matricola / Número de serie / Serie / Serie nr / Numéro de série / Серийный номер / Sērijas numurs / Serijinis Nr. / Seerianumber</b>		
<b>Date of sale / Data di vendita / Fecha de venta / Verkaufsdatum / Verkoopdatum / Date de vente / Дата продажи / Pārdošanas datums / Pardavimo data / Mūģi kuupāev</b>		
<b>Dealer / Venditore / Empresa-vendedor / Verkäufer / Firma verkoper / Firme productrice / Фирма продавец / Pārdevējs / Pardavėjas / Mūģifirma</b>		

To be filled by the dealer / Reservato al venditore / Timbro del venditore / Wird von dem verkäufer ausgefüllt / Word ingevuld door firma-verkoper / À remplir uniquement par la firme productrice / Заполняется фирмой продавцом / Aizpilda pārdevējs / Pildo įmonė pardavėja / Taidab mūļafirma



WARRANTY CERTIFICATE 4 /

TAGLIANDO DI GARANZIA 4 / TALÓN DE GARANTÍA 4 / GARANTIEZETTEL 4 /

GARANTIEKAART 4 / BON DE GARANTIE 4 / ГАРАНТИЙНЫЙ ТАЛОН 4 /

GARANTIJAS TALONS 4 / GARANTINIS TALONAS 4 / ГАРАНТИТАЛОН 4

<b>Model / Modello / Modelo / Ausführung / Model / Modèle / Модель / Modelis / Modelis / Mudel</b>		Dealer's seal / Timbro del venditore / Sello de la empresa-vendedor / Siegel des verkäufers / Stempel van firma verkoper / Sceau de la firme productrice / Печать фирмы продавца / Pārdevēja zīmogs / Įmonės pardavėjos antspaudas / Mūļafirma pitser
<b>Serial No. / Numero di matricola / Número de serie / Serie / Serie nr / Numéro de série / Серийный номер / Sērijas numurs / Serijinis Nr. / Seerianumber</b>		
<b>Date of sale / Data di vendita / Fecha de venta / Verkaufsdatum / Verkoopdatum / Date de vente / Дата продажи / Pārdošanas datums / Pardavimo data / Mūģi kuupāev</b>		
<b>Dealer / Venditore / Empresa-vendedor / Verkäufer / Firma verkoper / Firme productrice / Фирма продавец / Pārdevējs / Pardavėjas / Mūģifirma</b>		

To be filled by the dealer / Reservato al venditore / Timbro del venditore / Wird von dem verkäufer ausgefüllt / Word ingevuld door firma-verkoper / À remplir uniquement par la firme productrice / Заполняется фирмой продавцом / Aizpilda pārdevējs / Pildo įmonė pardavėja / Taidab mūļafirma

<b>Date of acceptance / Data di ricezione / Fecha de la recepción / Aufnahme datum / Datum van ontvangst / Date d'acceptance / Дата приема / Saņemšanas datums / Priėmimo data / Vastuvėtu kuupėev</b>		Stamp of service center / Timbro del centro di assistenza / Sello del centro de asistencia tėcnica / Siegel des servicebetriebs / Stempel van servicecentrum / Sceau du service client / Печать сервисного центра / Servisa centra zīmogs / Aptarnavimo centro antspaudas / Teeninduskeskuse pitser
<b>Issue date / Data do consegna / Fecha de la expedici3n / Ausgabedatum / Datum van uitgifte / Date de dėlivrance / Дата выдачи / Izsniegšanas datums / Īdavimo data / Vėljaandmise kuupėev</b>		
<b>Defect / Difetto / Defecto / Defekt / Gebrek / Dėfaut / Дефект / Defekts / Defektas / Rike</b>		
<b>Executed work / Lavori eseguiti / Trabajo cumplido / Durchgefėhrte Arbeiten / Gedane werkzaamheden / Travail produit / Выполненная работа / Izpildėtis darbs / Atlikti darbai / Tehtud t33</b>		
<b>Expert (full name) / Tecnico / Contramaestre (nombres y apellidos) / Fachspezialist (name) / Vakkundige (naam) / Rėparateur (nom, prėnom) / Специалист (имя) / Meistars / Meistras / Spetsialist (nimi)</b>		

Filled in by service center / Riservato al centro di assistenza / Se complementa por el centro de asistencia tėcnica / Wird von dem Servicebetrieb ausgefėllt / Wordt ingevuld door het servicecentrum / Ā remplir uniquement par le service client / Заполняется сервисным центром / Aizpilda servisa centrs / Pildo aptarnavimo centras / Tėidab teeninduskeskus

<b>Date of acceptance / Data di ricezione / Fecha de la recepci3n / Aufnahme datum / Datum van ontvangst / Date d'acceptance / Дата приема / Saņemšanas datums / Priėmimo data / Vastuvėtu kuupėev</b>		Stamp of service center / Timbro del centro di assistenza / Sello del centro de asistencia tėcnica / Siegel des servicebetriebs / Stempel van servicecentrum / Sceau du service client / Печать сервисного центра / Servisa centra zīmogs / Aptarnavimo centro antspaudas / Teeninduskeskuse pitser
<b>Issue date / Data do consegna / Fecha de la expedici3n / Ausgabedatum / Datum van uitgifte / Date de dėlivrance / Дата выдачи / Izsniegšanas datums / Īdavimo data / Vėljaandmise kuupėev</b>		
<b>Defect / Difetto / Defecto / Defekt / Gebrek / Dėfaut / Дефект / Defekts / Defektas / Rike</b>		
<b>Executed work / Lavori eseguiti / Trabajo cumplido / Durchgefėhrte Arbeiten / Gedane werkzaamheden / Travail produit / Выполненная работа / Izpildėtis darbs / Atlikti darbai / Tehtud t33</b>		
<b>Expert (full name) / Tecnico / Contramaestre (nombres y apellidos) / Fachspezialist (name) / Vakkundige (naam) / Rėparateur (nom, prėnom) / Специалист (имя) / Meistars / Meistras / Spetsialist (nimi)</b>		

Filled in by service center / Riservato al centro di assistenza / Se complementa por el centro de asistencia tėcnica / Wird von dem Servicebetrieb ausgefėllt / Wordt ingevuld door het servicecentrum / Ā remplir uniquement par le service client / Заполняется сервисным центром / Aizpilda servisa centrs / Pildo aptarnavimo centras / Tėidab teeninduskeskus