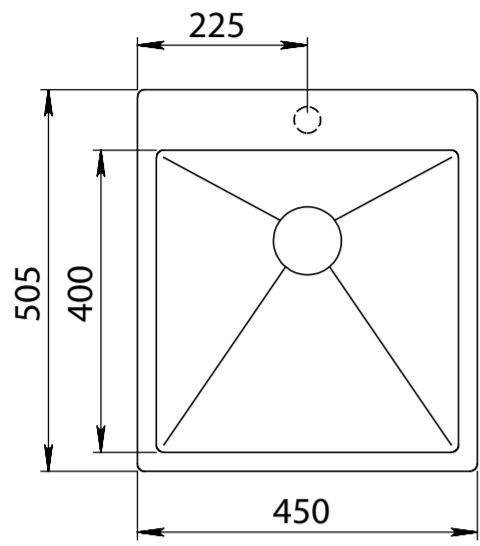


430 (+/- 0,5%)

TERRA100X



TOPMOUNT

Topmount Installation

1. Place the template on the sink to chek that template is the right size.

2. template

3. template

4. Drill the hole

2.

Silicone

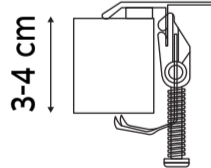
3.

4.

sink

hook

cabinet



Attention! Supplied mounting clips are designed for countertops installation with a minimum thickness of 3-4 cm. When you need to install the sink in a diameter of less than 3 cm, it is necessary to use another type of clips.

NOTICE

The template associated with this sink are for reference only.
 You must have the sink and all sink accessories on site prior to any cutting or modifications to the countertop to ensure a correct fit and proper installation.
 It is the responsibility of the installer to check and confirm all layout details and measurements prior to installation.
 THE MANUFACTURER / DISTRIBUTOR WILL NOT BE RESPONSIBLE OR LIABLE FOR ANY ERRORS WHEN USING THE TEMPLATE.



485 (+/- 0,5%)

R10