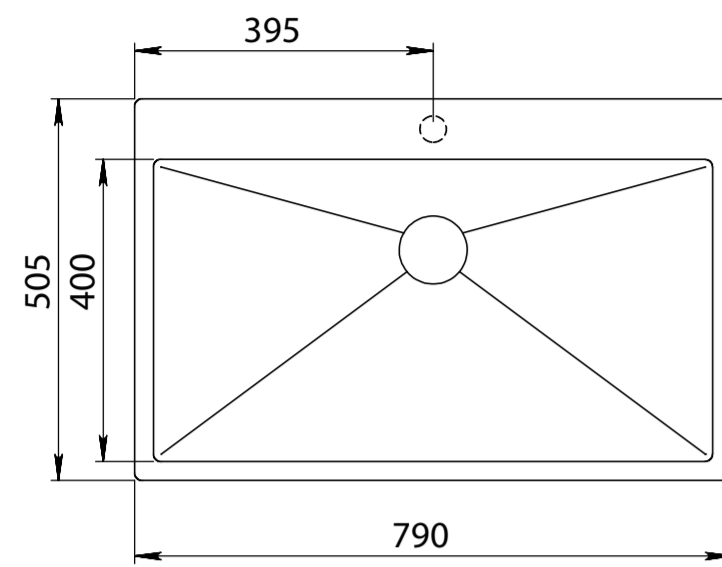
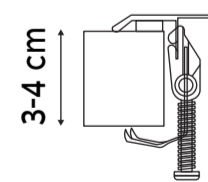
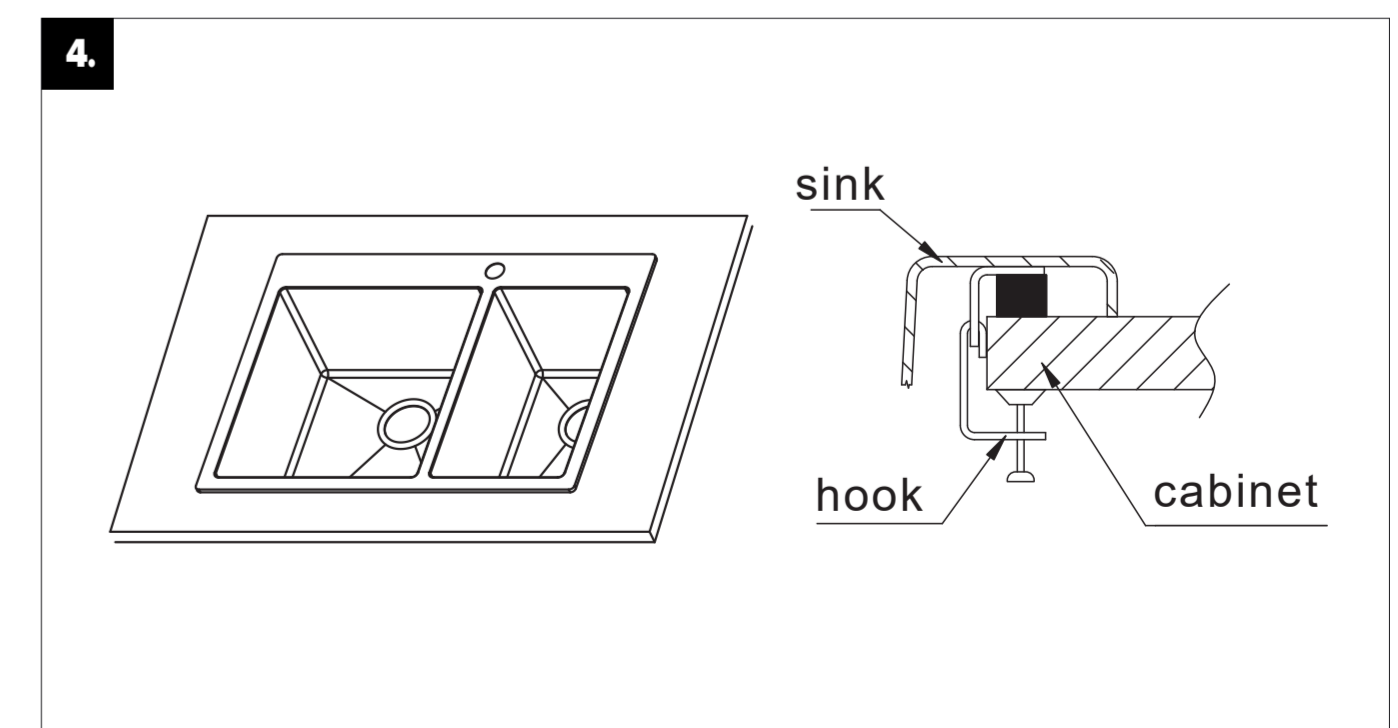
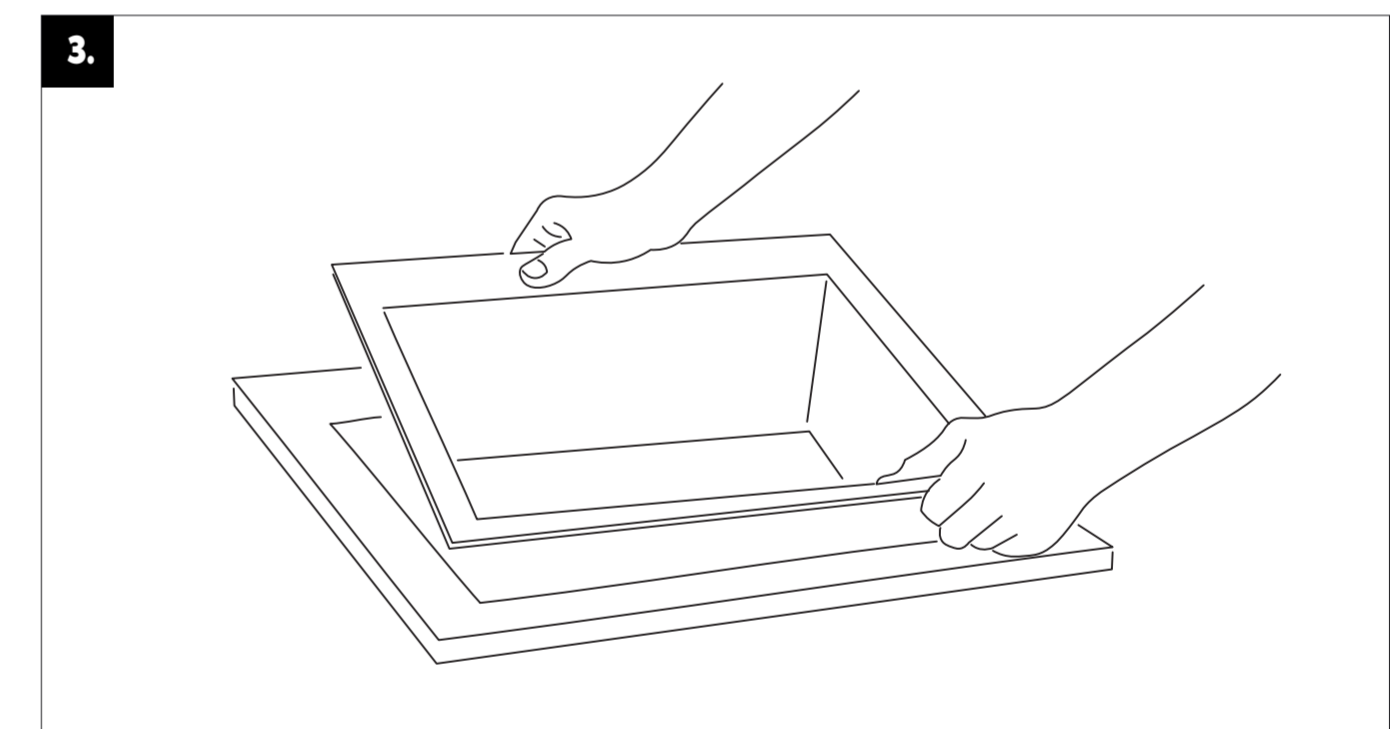
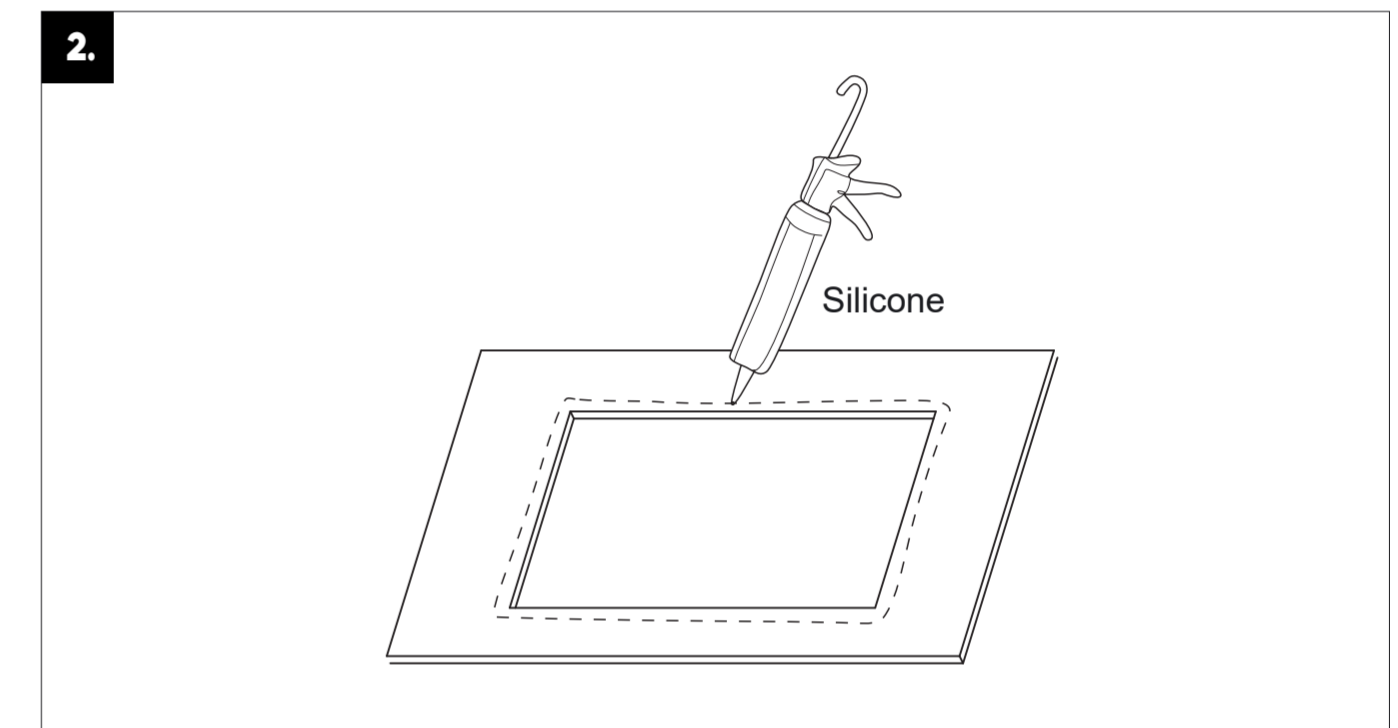
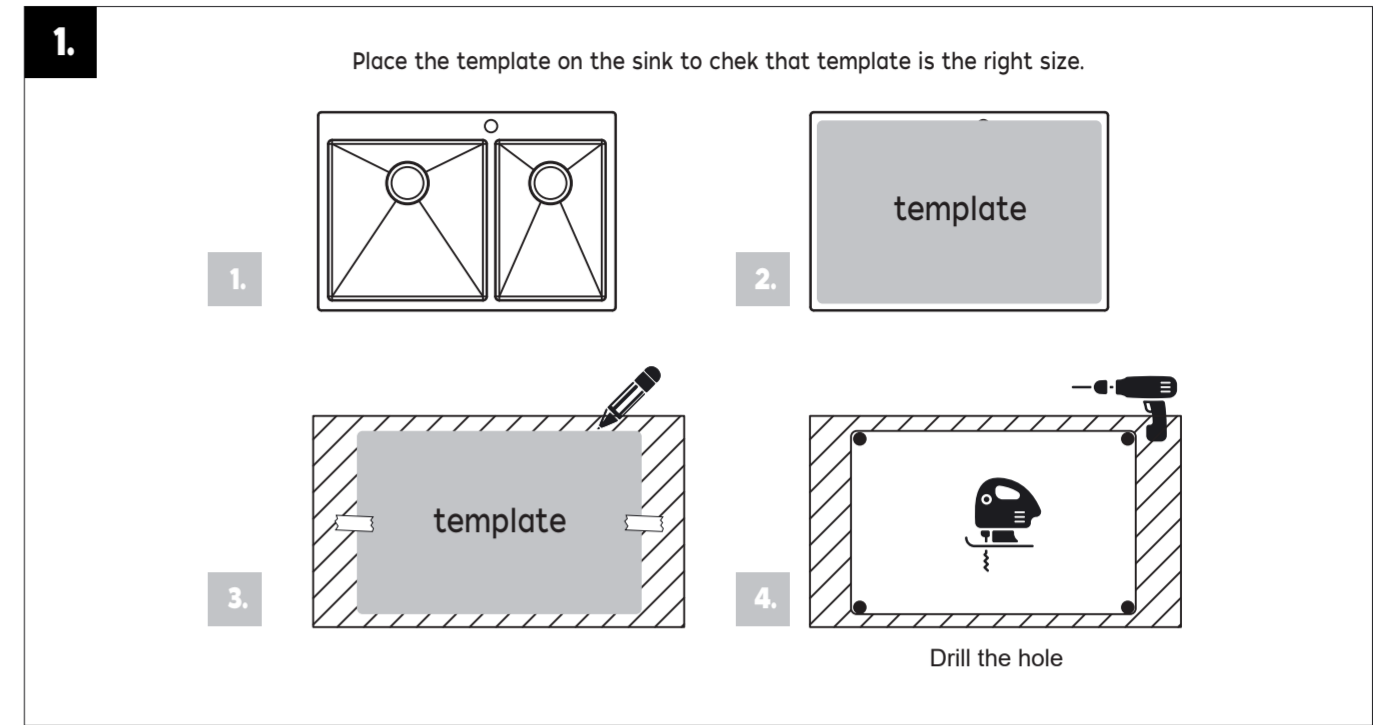


TERRA100M



TOPMOUNT

Topmount Installation



Attention! Suplied mounting clips are designed for countertops installation with a minimum thickness of 3-4 cm. When you need to install the sink in a diameter of less than 3 cm, it is necessary to use another type of clips.

NOTICE

The template associated with this sink are for reference only.
 You must have the sink and all sink accessories on site prior to any cutting or modifications to the countertop to ensure a correct fit and proper installation.
 It is the responsibility of the installer to check and confirm all layout details and measurements prior to installation.
 THE MANUFACTURER / DISTRIBUTOR WILL NOT BE RESPONSIBLE OR LIABLE FOR ANY ERRORS WHEN USING THE TEMPLATE.

